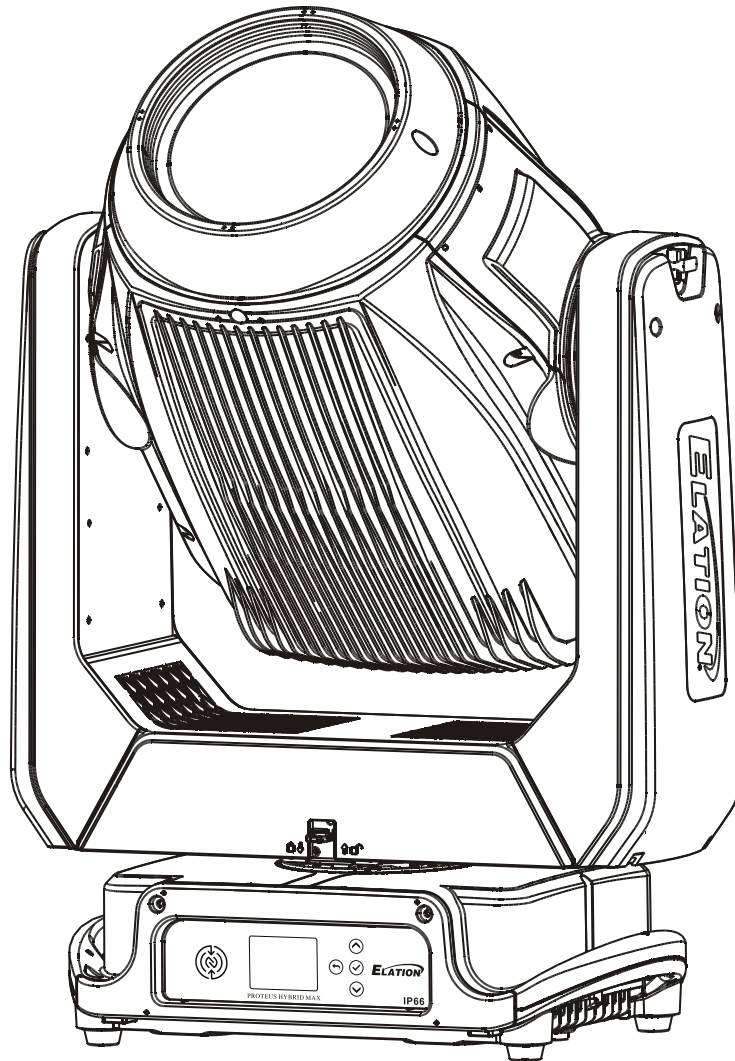


# ELATION®



## PROTEUS HYBRID MAX

user manual

©2023 ELATION PROFESSIONAL all rights reserved. Information, specifications, diagrams, images, and instructions herein are subject to change without notice. ELATION PROFESSIONAL logo and identifying product names and numbers herein are trademarks of ELATION PROFESSIONAL. Copyright protection claimed includes all forms and matters of copyrightable materials and information now allowed by statutory or judicial law or hereinafter granted. Product names used in this document may be trademarks or registered trademarks of their respective companies and are hereby acknowledged. All non-ELATION brands and product names are trademarks or registered trademarks of their respective companies.

**ELATION PROFESSIONAL** and all affiliated companies hereby disclaim any and all liabilities for property, equipment, building, and electrical damages, injuries to any persons, and direct or indirect economic loss associated with the use or reliance of any information contained within this document, and/or as a result of the improper, unsafe, insufficient and negligent assembly, installation, rigging, and operation of this product.

**Elation Professional USA | 6122 S. Eastern Ave. | Los Angeles, CA. 90040**

323-582-3322 | 323-832-9142 fax | [www.elationlighting.com](http://www.elationlighting.com) | [info@elationlighting.com](mailto:info@elationlighting.com)

**Elation Professional B.V. | Junostraat 2 | 6468 EW Kerkrade, The Netherlands**

+31 45 546 85 66 | +31 45 546 85 96 fax | [www.elationlighting.eu](http://www.elationlighting.eu) | [info@elationlighting.eu](mailto:info@elationlighting.eu)

**Elation Professional Mexico | AV Santa Ana 30 | Parque Industrial Lerma, Lerma, Mexico 52000**

+52 (728) 282-7070

## DOCUMENT VERSION



Due to additional product features and/or enhancements, an updated version of this document may be available online. Please scan the QR Code with your mobile device or visit [www.elationlighting.com](http://www.elationlighting.com) for the latest revision/update of this manual, before installation and/or programming.

Date	Document Version	Software Version	DMX Channels	Notes
11/28/2023	1.0	1.3.0	32 / 43	Initial release

# CONTENTS

<b>Introduction</b>	<b>4</b>
<b>IP66 Rating</b>	<b>5</b>
<b>Limited Warranty (USA Only)</b>	<b>6</b>
<b>Safety Guidelines</b>	<b>7</b>
<b>Discharge Lamp Warning</b>	<b>9</b>
<b>Overview</b>	<b>10</b>
<b>Lamp Replacement</b>	<b>11</b>
<b>Colors and Gobos</b>	<b>15</b>
<b>Torque Settings for Screws</b>	<b>19</b>
<b>Installation Guidelines</b>	<b>20</b>
<b>Sun Protection   Hibernation Mode</b>	<b>27</b>
<b>Sky Motion</b>	<b>28</b>
<b>Remote Device Management (RDM)</b>	<b>30</b>
<b>System Menu</b>	<b>31</b>
<b>Dimmer Modes and Dimmer Curves</b>	<b>35</b>
<b>DMX Traits</b>	<b>36</b>
<b>Error Codes</b>	<b>43</b>
<b>Software Updates</b>	<b>44</b>
<b>Maintenance Guidelines</b>	<b>49</b>
<b>Specifications</b>	<b>50</b>
<b>Dimensional Drawings</b>	<b>51</b>
<b>Optional Accessories   FCC Statement</b>	<b>53</b>

# INTRODUCTION

Please read and understand the instructions in this manual carefully and thoroughly before attempting to operate this device. These instructions contain important safety and use information. **This device is intended for use by trained personnel only, and is not suitable for private use.**

## UNPACKING

Every device has been thoroughly tested and has been shipped in perfect operating condition. Carefully check the shipping carton for damage that may have occurred during shipping. If the carton is damaged, carefully inspect the device for damage, and be sure all accessories necessary to install and operate the device have arrived intact. In the event that damage has been found or parts are missing, please contact our customer support team for further instructions. Please do not return this device to your dealer without first contacting customer support. Please do not discard the shipping carton in the trash. Please recycle whenever possible.

## IP66 RATED

An IP rated lighting fixture is commonly installed in outdoor environments and has been designed with an enclosure that effectively protects against the ingress (entry) of external foreign objects such as dust and water. The International Protection (IP) rating system is commonly expressed as "IP" followed by two numbers (i.e. IP66) where the numbers define the degree of protection. The first digit (Foreign Bodies Protection) indicates the extent of protection against particles entering the fixture, while the second digit (Water Protection) indicates the extent of protection against water entering the fixture. **An IP66 rated lighting fixture, such as this one, has been designed and tested to protect against the ingress of dust (6) and powerful water jets from any direction (6).**

## BOX CONTENTS

Omega Brackets (x2)

IP66 Rated 5-pin DMX Cable (x1)

IP66 Rated RJ45 Data Cable (x1) - **FIXTURE TO FIXTURE INTERCONNECTION USE ONLY!**

IP66 Locking Power Cable (x1)

## CUSTOMER SUPPORT

Contact ELATION Service for any product related service and support needs.

Also visit [forums.elationlighting.com](https://forums.elationlighting.com) with questions, comments or suggestions.

**ELATION SERVICE USA** - Monday - Friday 8:00am to 4:30pm PST

323-582-3322 | Fax 323-832-9142 | [support@elationlighting.com](mailto:support@elationlighting.com)

**ELATION SERVICE EUROPE** - Monday - Friday 08:30 to 17:00 CET

+31 45 546 85 63 | Fax +31 45 546 85 96 | [support@elationlighting.eu](mailto:support@elationlighting.eu)

**REPLACEMENT PARTS** - please visit [parts.elationlighting.com](https://parts.elationlighting.com)

# IP66 RATING

The **International Protection (IP)** rating system is denoted as “**IP**” (Ingress Protection) followed by two numbers (e.g., IP66), signifying the level of protection. The initial digit (Protection from Foreign Bodies) indicates the degree of safeguarding against solid particles entering the fixture, while the second digit (Protection from Water) specifies defense against water ingress. An **IP66** rated lighting fixture is meticulously designed and rigorously tested to shield against dust infiltration (**6**) and powerful water jets from any direction (**6**).

## **Maritime/Coastal Environment Installations:**

Coastal environments are located near the sea and pose a corrosive risk to electronics due to exposure to atomized saltwater and high humidity. Maritime settings encompass areas within a 5-mile radius of coastal environments.

Maritime installations necessitate additional precautions and may require more frequent servicing due to their challenging environmental conditions. It’s essential to understand that IP ratings are initially based on freshwater conditions, while maritime environments are generally more “corrosive” to IP fixtures, both internally and externally. Periodic operation may be necessary during periods of high humidity and low temperatures to expel accumulated moisture through the vent valve. Recommendations may vary based on specific installation circumstances.

**NOTE: Not all features mentioned apply to all fixtures; these instructions may not be relevant to your specific model. For more information, please contact our support team.**

**Exterior Maintenance:** Inspect the exterior every 30 days. Ensure the unit is powered off/disconnected. Examine the chassis for contaminants and clean optics and chassis as necessary. Schedule maintenance based on findings, considering the exterior’s exposure to the elements. Maintenance is crucial even when luminaires are not in use due to their exterior placement. Applying durable wax to the chassis is recommended to prevent contaminant buildup. Regularly inspect power and data lines for contaminants or corrosion, periodically reapplying dielectric grease, particularly in coastal settings. Clean thoroughly and/or replace connectors if corrosion/contaminants are present. Annual replacement of vent valves is preventive to ensure proper humidity venting. Also, inspect mounting hardware as a precaution.

**Interior Maintenance:** Inspect the interior every 30 days with the unit powered off/disconnected.

- Examine zoom/focus mechanisms, clean optics, and lubricate linear bearings (Krytox oil) as needed.
- Inspect belts for wear.
- Manually rotate all rotating effect wheels and note any resistance.
- Check remaining rotating belts for wear.
- Inspect and clean fans as required, checking rotation and connections
- Examine the CMY module, manually moving flags and checking for resistance
- Clean guide rods if needed and apply a thin layer of grease (moly lube).
- Clean the interior with low-volume compressed air and clean optics before reassembling head covers.

The pan belt should be inspected for wear, although the base has limited moving parts. Always conduct an IP test when removing any cover.

There is no specific timeframe for routine replacement of parts like belts, stepper motors, PCBs, or LEDs. Replace these items as needed, except for cooling fans, which should be replaced after 10,000 hours of operation as a preventive measure to ensure proper functioning of internal components. A comprehensive service breakdown is available; contact [service@elationlighting.com](mailto:service@elationlighting.com) for parts or manuals.

## LIMITED WARRANTY (USA ONLY)

- A. Elation Professional hereby warrants, to the original purchaser, Elation Professional products to be free of manufacturing defects in material and workmanship for a period of two years (730 days), and Elation Professional product rechargeable batteries to be free of manufacturing defects in material and workmanship for a period of six months (180 days), from the original date of purchase. This warranty excludes discharge lamps and all product accessories. This warranty shall be valid only if the product is purchased within the United States of America, including possessions and territories. It is the owner's responsibility to establish the date and place of purchase by acceptable evidence, at the time service is sought.
- B. For warranty service, send the product only to the Elation Professional factory. All shipping charges must be pre-paid. If the requested repairs or service (including parts replacement) are within the terms of this warranty, Elation Professional will pay return shipping charges only to a designated point within the United States. If any product is sent, it must be shipped in its original package and packaging material. No accessories should be shipped with the product. If any accessories are shipped with the product, Elation Professional shall have no liability what so ever for loss and/or damage to any such accessories, nor for the safe return thereof.
- C. This warranty is void if the product serial number and/or labels are altered or removed; if the product is modified in any manner which Elation Professional concludes, after inspection, affects the reliability of the product; if the product has been repaired or serviced by anyone other than the Elation Professional factory unless prior written authorization was issued to purchaser by Elation Professional; if the product is damaged because not properly maintained as set forth in the product instructions, guidelines and/or user manual.
- D. This is not a service contract, and this warranty does not include any maintenance, cleaning or periodic check-up. During the periods as specified above, Elation Professional will replace defective parts at its expense, and will absorb all expenses for warranty service and repair labor by reason of defects in material or workmanship. The sole responsibility of Elation Professional under this warranty shall be limited to the repair of the product, or replacement thereof, including parts, at the sole discretion of Elation Professional. All products covered by this warranty were manufactured after January 1, 1990, and bare identifying marks to that effect.
- E. Elation Professional reserves the right to make changes in design and/or performance improvements upon its products without any obligation to include these changes in any products theretofore manufactured.
- F. No warranty, whether expressed or implied, is given or made with respect to any accessory supplied with the products described above. Except to the extent prohibited by applicable law, all implied warranties made by Elation Professional in connection with this product, including warranties of merchantability or fitness, are limited in duration to the warranty periods set forth above. And no warranties, whether expressed or implied, including warranties of merchantability or fitness, shall apply to this product after said periods have expired. The consumer's and/or dealer's sole remedy shall be such repair or replacement as is expressly provided above; and under no circumstances shall Elation Professional be liable for any loss and/or damage, direct and/or consequential, arising out of the use of, and/or the inability to use, this product.
- G. This warranty is the only written warranty applicable to Elation Professional products and supersedes all prior warranties and written descriptions of warranty terms and conditions heretofore published.

### WARRANTY RETURNS

All returned service items whether under warranty or not, must be freight pre-paid and accompany a return authorization (R.A.) number. The R.A. number must be clearly written on the outside of the return package. A brief description of the problem as well as the R.A. number must also be written down on a piece of paper and included in the shipping container. If the unit is under warranty, you must provide a copy of your proof of purchase invoice. Items returned without a R.A. number clearly marked on the outside of the package will be refused and returned at customer's expense. You may obtain a R.A. number by contacting customer support.

# SAFETY GUIDELINES

This fixture is a sophisticated piece of electronic equipment. To guarantee a smooth operation, it is important to follow all instructions and guidelines in this manual. Elation Professional is not responsible for injury and/or damages resulting from the misuse of this fixture due to the disregard of the information printed in this manual. Only qualified and/or certified personnel should perform installation of this fixture and only the original rigging parts (omega brackets) included with this fixture should be used for installation. Any modifications to the fixture and/or the included mounting hardware will void the original manufacturer's warranty and increase the risk of damage and/or personal injury.



**PROTECTION CLASS 1 - FIXTURE MUST BE PROPERLY GROUNDED.**



**THERE ARE NO USER SERVICEABLE PARTS INSIDE THIS UNIT.  
DO NOT ATTEMPT ANY REPAIRS YOURSELF; DOING SO WILL VOID YOUR MANUFACTURER'S WARRANTY. DAMAGES RESULTING FROM MODIFICATIONS TO THIS FIXTURE AND/OR THE DISREGARD OF SAFETY INSTRUCTIONS AND GUIDELINES IN THIS MANUAL VOID THE MANUFACTURER'S WARRANTY AND ARE NOT SUBJECT TO ANY WARRANTY CLAIMS AND/OR REPAIRS.**



**ENSURE ALL CONNECTIONS AND END CAPS ARE PROPERLY SEALED WITH A DIELECTRIC GREASE (AVAILABLE AT MOST ELECTRICAL SUPPLIERS) TO PREVENT WATER CORROSION AND/OR ELECTRICAL SHORT CIRCUIT.**



**DO NOT PLUG FIXTURE INTO A DIMMER PACK!  
NEVER OPEN THIS FIXTURE WHILE IN USE!  
UNPLUG POWER BEFORE SERVICING FIXTURE!  
NEVER TOUCH FIXTURE DURING OPERATION, AS IT MAY BE HOT!  
KEEP FLAMMABLE MATERIALS AWAY FROM FIXTURE!**

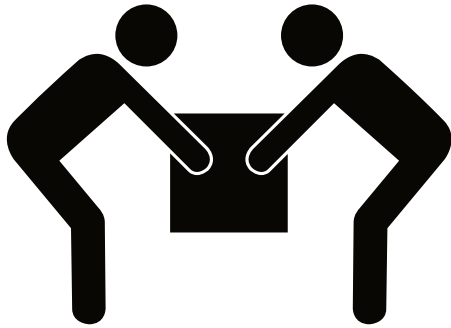


**NEVER LOOK DIRECTLY INTO THE LIGHT SOURCE!  
RETINA INJURY RISK - MAY INDUCE BLINDNESS!  
SENSITIVE PERSONS MAY SUFFER AN EPILEPTIC SHOCK!**



**MINIMUM DISTANCE TO OBJECTS/SURFACES  
MUST BE 65.62 FEET (20 METERS)  
MAXIMUM TEMP OF EXTERNAL SURFACE 230° F (110°C)  
MINIMUM DISTANCE OF INFLAMMABLE MATERIALS  
FROM THE SURFACE 1.65 FEET (0.5 METER)**

## SAFETY GUIDELINES



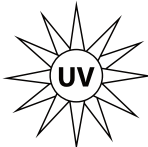
**79.4lbs.(36kg)**

# WARNING

## TWO PERSON LIFT REQUIRED

# CAUTION

**HIGH  
INTENSITY  
ULTRAVIOLET  
LIGHT**



**AVOID DIRECT EYE & SKIN EXPOSURE.  
WEAR PROPER EYE & SKIN PROTECTION.  
SEE MANUAL FOR SAFETY INSTRUCTIONS.**

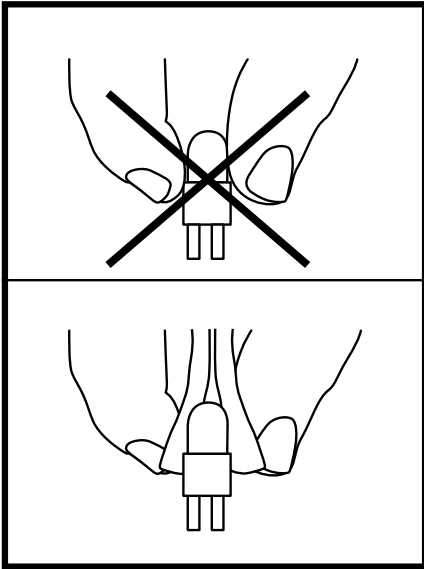
**RISK GROUP 3 - RISK OF EXPOSURE TO ULTRAVIOLET UV RADIATION! FIXTURE EMITS HIGH INTENSITY WAVELENGTH OF ULTRAVIOLET UV LIGHT FROM THE UV COLOR FILTER. WEAR PROPER EYE AND SKIN PROTECTION. AVOID PROLONGED PERIODS OF EXPOSURE TO UV COLOR FILTER. AVOID WEARING WHITE COLOR CLOTHING AND/OR USING UV PAINTS ON SKIN. AVOID DIRECT EYE AND/OR SKIN EXPOSURE AT DISTANCES LESS THAN 10 feet (3m). DO NOT OPERATE FIXTURE WITH DAMAGED/MISSING EXTERNAL COVERS. DO NOT LOOK DIRECTLY INTO THE UV LIGHT AND/OR VIEW UV LIGHT DIRECTLY WITH OPTICAL INSTRUMENTS**

**THAT MAY CONCENTRATE THE LIGHT/RADIATION OUTPUT. INDIVIDUALS SUFFERING FROM A RANGE OF EYE CONDITIONS, SUNLIGHT EXPOSURE DISORDERS, OR INDIVIDUALS USING PHOTSENSITIVE MEDICATION, MAY RECEIVE DISCOMFORT IF EXPOSED TO THE ULTRAVIOLET UV LIGHT EMITTED FROM THE UV LED.**

- **DO NOT TOUCH** the fixture housing during operation. Turn OFF the power and allow approximately 15 minutes for the fixture to cool down before serving.
- **DO NOT** shake fixture, avoid brute force when installing and/or operating fixture.
- **DO NOT** operate fixture if the power cord is frayed, crimped damaged and/or if any of the power cord connectors are damaged and do not insert into the fixture securely with ease.
- **NEVER** force a power cord connector into the fixture. If the power cord or any of its connectors are damaged, replace it immediately with a new one of similar power rating.
- **DO NOT** block any air ventilation slots.
- All fan and air inlets must remain clean and never blocked.
- Allow approx.6"(15cm) between fixture and other devices or a wall for proper cooling.
- Always disconnect fixture from main power source before performing any type of service and/or cleaning procedure. Only handle the power cord by the plug end, never pull out the plug by tugging the wire portion of the cord.
- During the initial operation of this fixture, a light smoke or smell may emit from the interior of the fixture. This is a normal process and is caused by excess paint in the interior of the casing burning off from the heat associated with the lamp and will decrease gradually over time.
- Consistent operational breaks will ensure the fixture will function properly for many years.
- **ONLY** use the original packaging and materials to transport the fixture in for service.



# DISCHARGE LAMP WARNING



This fixture is fitted with a DISCHARGE LAMP, which is highly susceptible to damage if improperly handled. **NEVER** touch the lamp with your bare hands, as the oil from your hands will shorten the life of the lamp. Also, **NEVER** move the fixture until the lamp has had ample time to cool. Lamps are NOT covered under warranty conditions. Avoid switching the fixture ON and OFF repeatedly in short intervals, as this will reduce lamp life and intensity. To achieve the intensity associated with discharge lamps, these lamps use gas sealed in a high-pressure environment to emit a brilliant output.

Due to the high pressure involved with the construction of the lamp, the lamp **MAY EXPLODE DURING PROLONGED EXTENSIVE USE**. This risk is increased with age; added care is encouraged when dealing with older lamps. Thus, the lamp must always be replaced at the end of their recommended duty cycle. Extreme caution should be used when operating this or any fixture fitted with a gas discharge lamp.



## UV RADIATION NOTICE

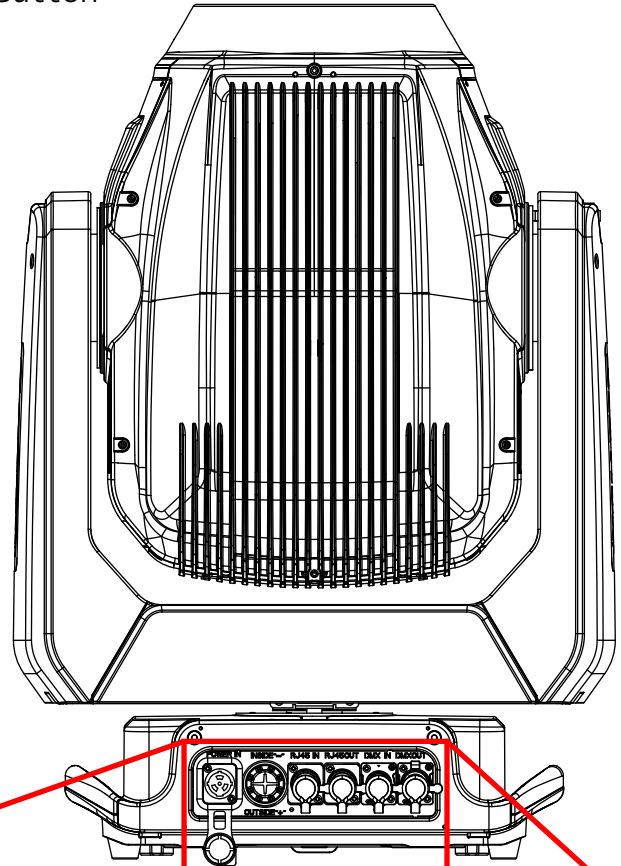
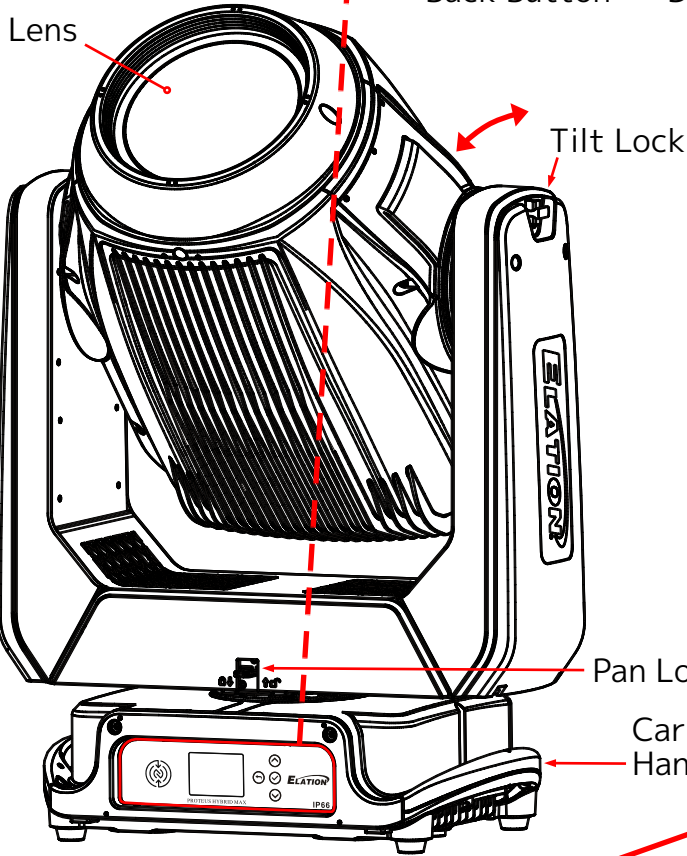
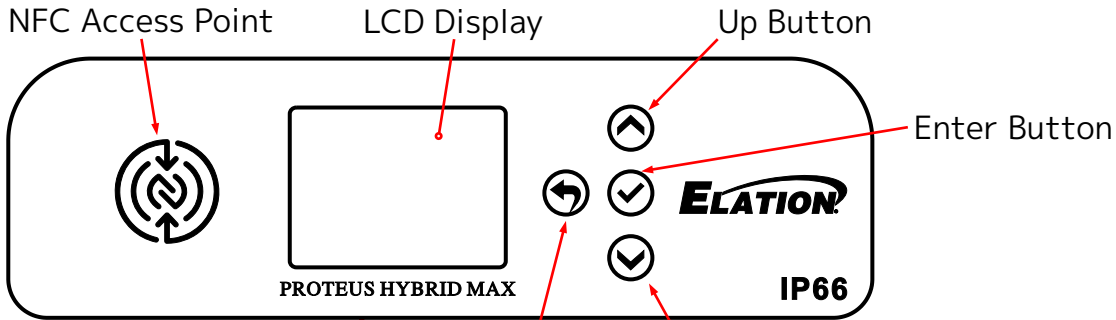
This fixture emits intense UV radiation, which is harmful to the eyes and skin. The intense luminance of the lamp can cause severe damage to the retina. **NEVER** operate this fixture with ANY of the protective covers removed. These covers have been specially designed to shield against UV radiation.



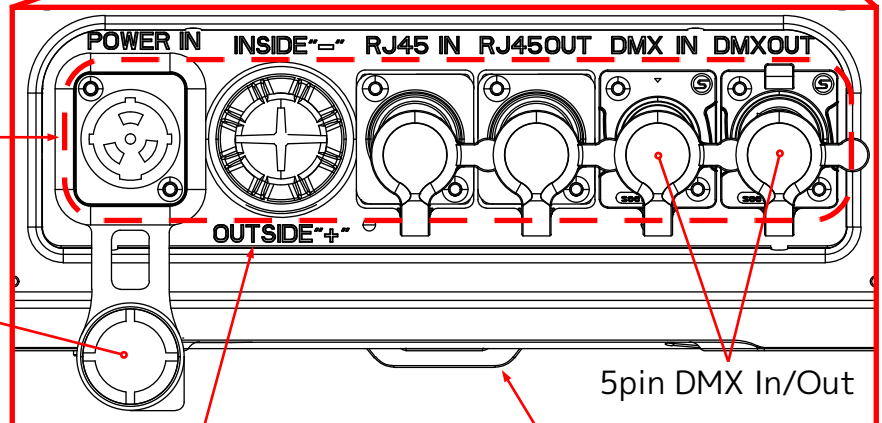
## LAMP REPLACEMENT

Please note that the lamp must be replaced between 1500-4000 hours based on usage as indicated on display. Use only genuine Philips™ Platinum Flex Lamps. Other lamp brands may cause damage and void the warranty.

# OVERVIEW



TO MAINTAIN THE IP66 RATING INTEGRITY OF THE FIXTURE AND PREVENT WATER FROM ENTERING THE FIXTURE, SEAL ALL UNUSED CONNECTION RUBBER CAPS.



Battery Compartment

Safety Cable Anchor Point

# LAMP REPLACEMENT

## LAMP REPLACEMENT LAMP LIFE OF PHILIPS PLATINUM 500L FLEX = UP TO 4,000 HOURS

Lamp hours are calculated in real time by a smart algorithm combining periods of full output and periods of hibernation with the shutter closed. To reach 4,000 hours the fixture must be operated in average entertainment usage patterns that contain cycles of closed shutters to enter hibernation mode. On average this will allow to the fixture to reach 4,000 hours under common entertainment operation cycles as defined by Philips as 30% operation, 70% hibernation. In the rare case that the fixture would be turned on, shutter opened and never closed again the lamp life is 1,500 hours. Lamp life idle, total time and an estimated total lamp life % are provided in the display of the fixture.

## LAMP PROTECTION CIRCUITRY

The fixture LCD Menu Control Display will indicate the lamp life and related lamp warnings with each power ON, each lamp strike, and when specific lamp hours are reached. The table below provides details on each lamp life warning. Due to the extreme heat associated with the lamp and the nature of the internal optical system, it is IMPERATIVE the lamp is replaced when the LCD Menu Control Display indicates replacement is needed. This is done to protect the internal optical system as well as prevent accidental lamp explosion, which could lead to hot glass particles falling from the fixture.

### **Total Lamp Hours = X - 20%**

LCD display will slowly blink with a YELLOW outline and the following warning for 10 mins:  
**"LAMP LIFE left "X" hours. Please change lamp soon"**  
Sending a DMX value of 250-251 in Channel 24 (Standard Mode) or Channel 34 (Extended Mode) from the lighting controller or pressing the OK button on the fixture control panel will clear this warning.

### **Total Lamp Hours = X up to X + 20%**

LCD display will slowly blink with a RED outline and the following warning for 10 mins:  
**"LAMP LIFE exceeded by "X" hours. Please change lamp immediately"**  
Sending a DMX value of 250-251 in Channel 24 (Standard Mode) or Channel 34 (Extended Mode) from the lighting controller or pressing the OK button on the fixture control panel will clear this warning.

### **Total Lamp Hours = X + 20% and higher**

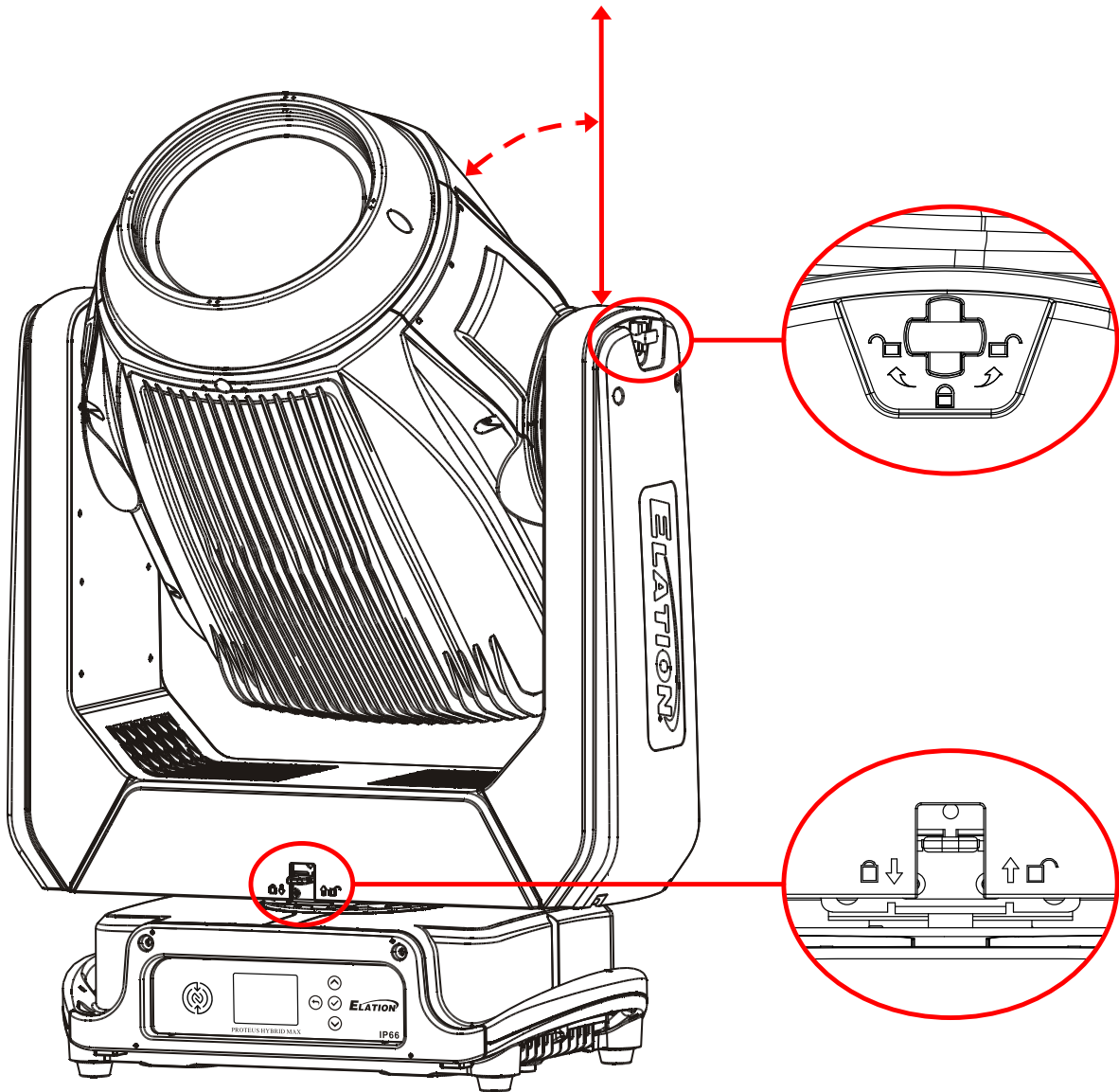
LCD display will slowly blink RED Outline and the following warning:  
**"Lamp Life "X" hours. Danger of lamp explosion and permanent fixture damage. Replace lamp immediately! User assumes all risks"**  
This error can ONLY be cleared when the lamp hours are reset.



**WARNING! LAMP REPLACEMENT SHOULD ONLY BE DONE BY A TRAINED TECHNICIAN.**

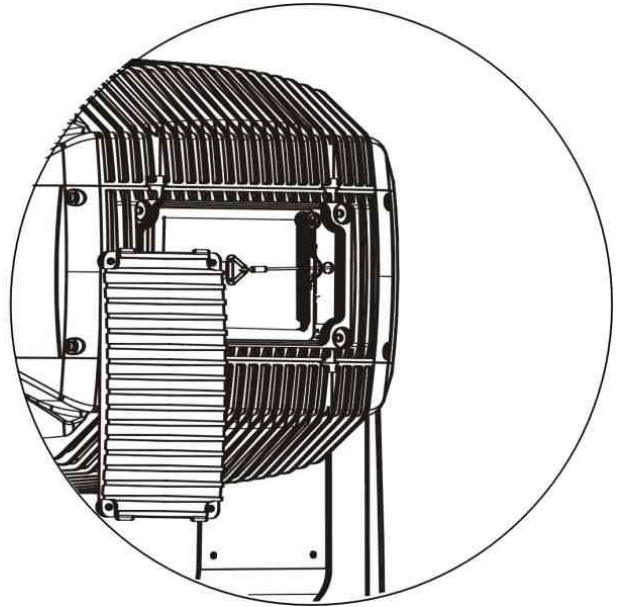
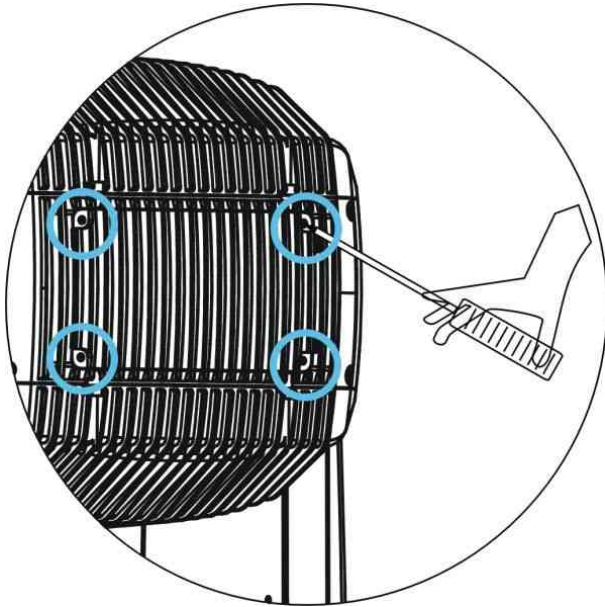
# LAMP REPLACEMENT

1. Turn **OFF** power and allow approximately 60-minutes for the fixture to cool down.
2. Place the moving-head in a right-angle horizontal position, and engage both the **PAN** and **TILT** locks for added stability while replacing the lamp.

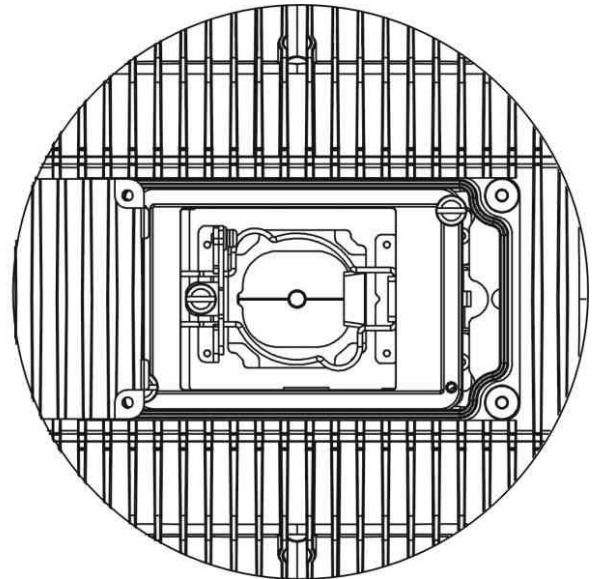
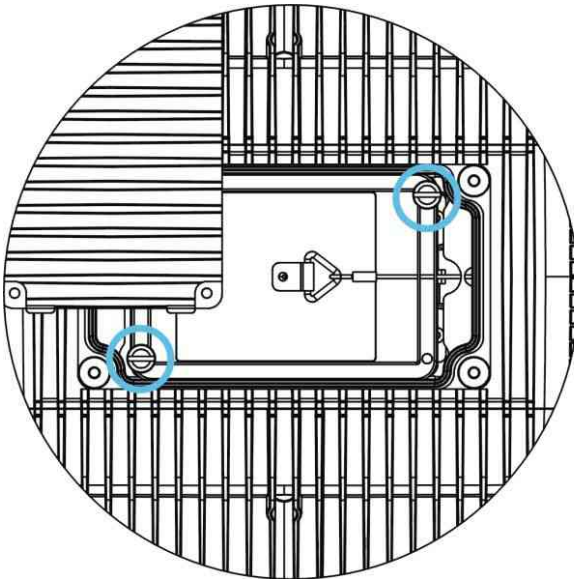


# LAMP REPLACEMENT

3. Remove (4x) screws that secure the bottom panel.

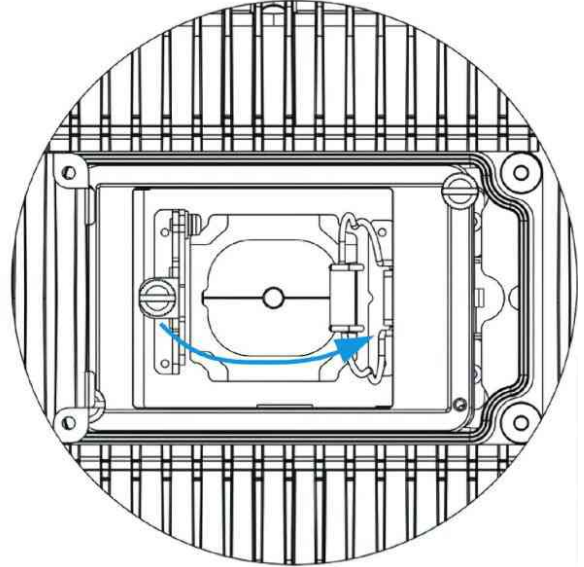
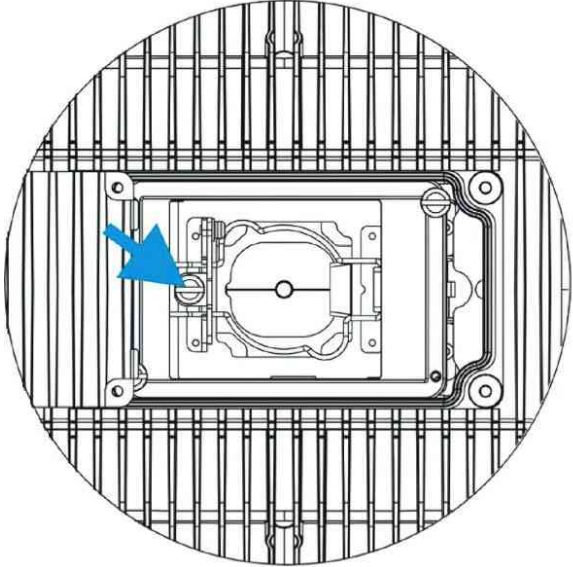


4. Loosen the two slotted thumb screws, and unclip the bottom panel safety cable, and remove the lamp socket cover, exposing the lamp socket.



# LAMP REPLACEMENT

5. Loosen the two slotted thumb screws, unclip the bottom panel safety cable, and remove the lamp socket cover.
6. Gently remove the (2x) spade terminals connected to the lamp.
7. Loosen the lamp retaining arm screw and pull arm out.
8. Unclip the lamp retaining-clip and swing it out.



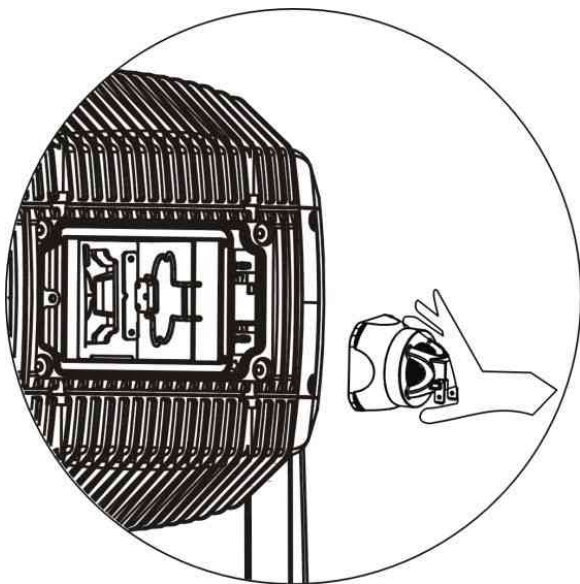
9. Carefully remove the lamp.



**WARNING! LAMP MAY BE HOT. USE CAUTION WHEN TOUCHING LAMP WITH BARE HANDS.**

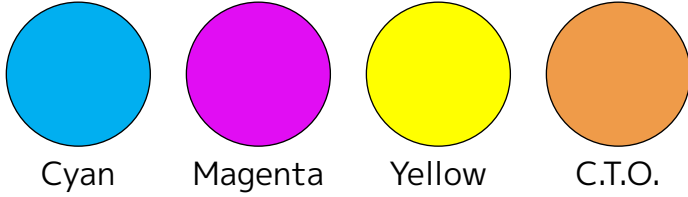
10. Carefully install the new lamp, then follow the removal instruction steps in reverse order.

**NOTE: Brush away any debris using a nonabrasive brush before replacing the panel.**

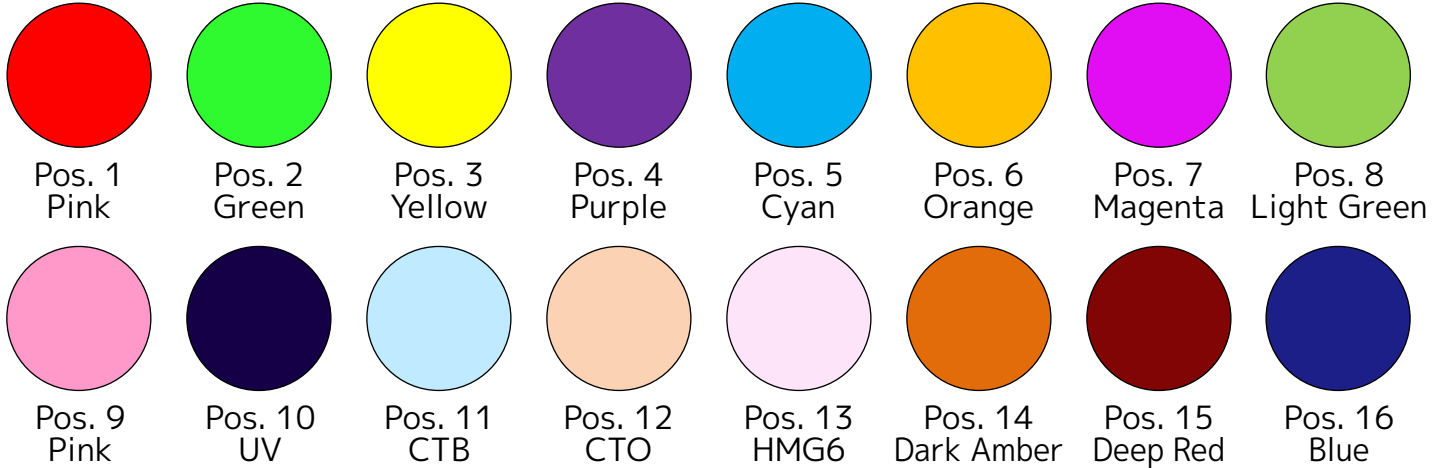


# COLORS AND GOBOS

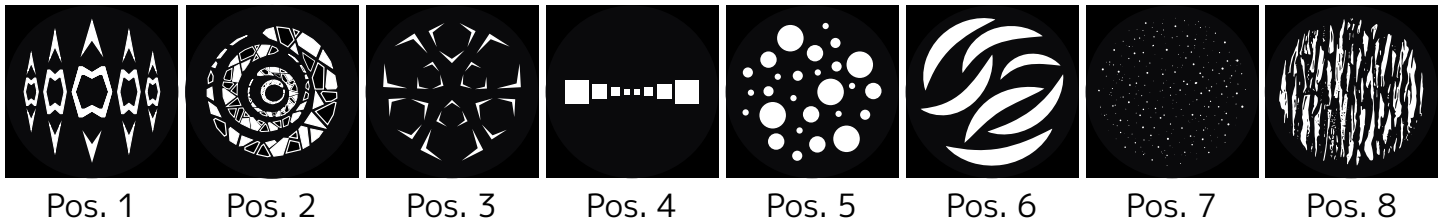
## COLOR FLAGS



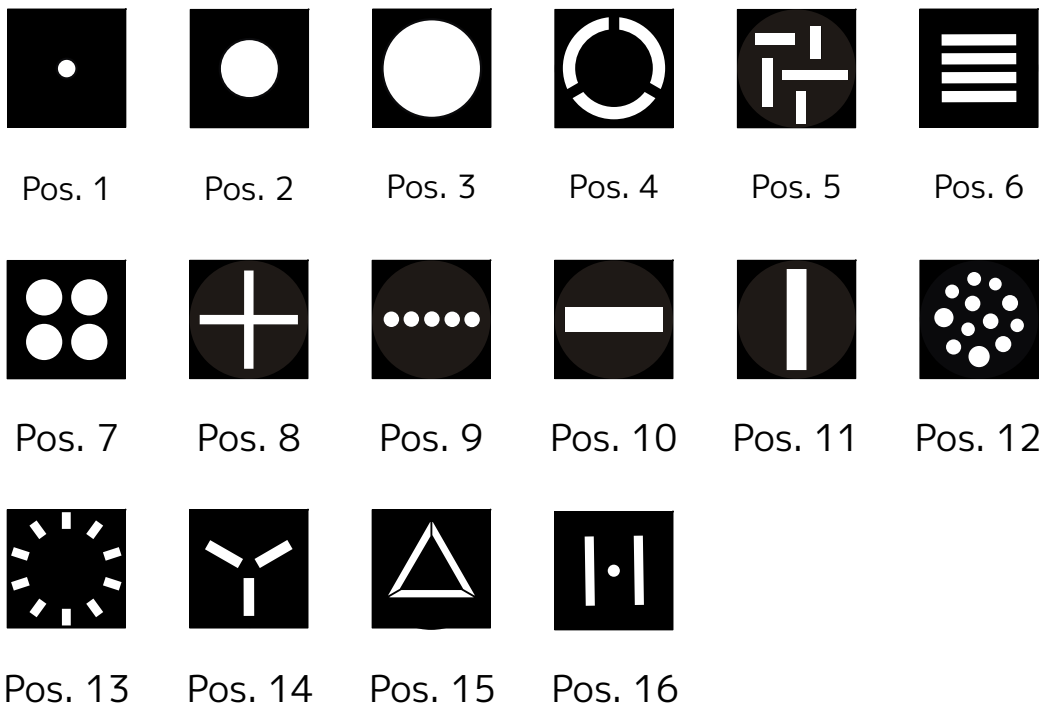
## COLOR WHEEL



## ROTATING GOBO WHEEL

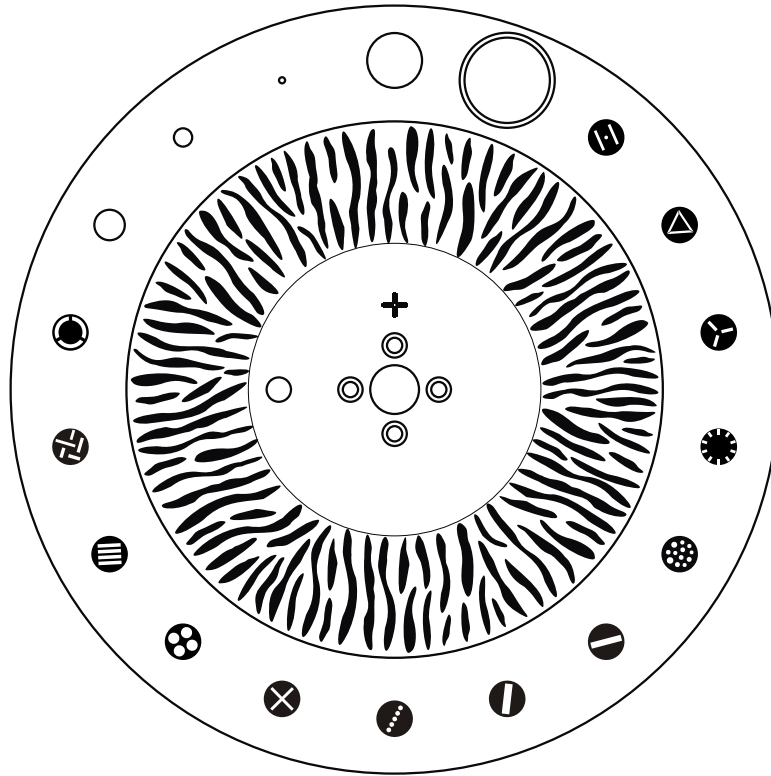


## FIXED GOBO WHEEL GOBOS

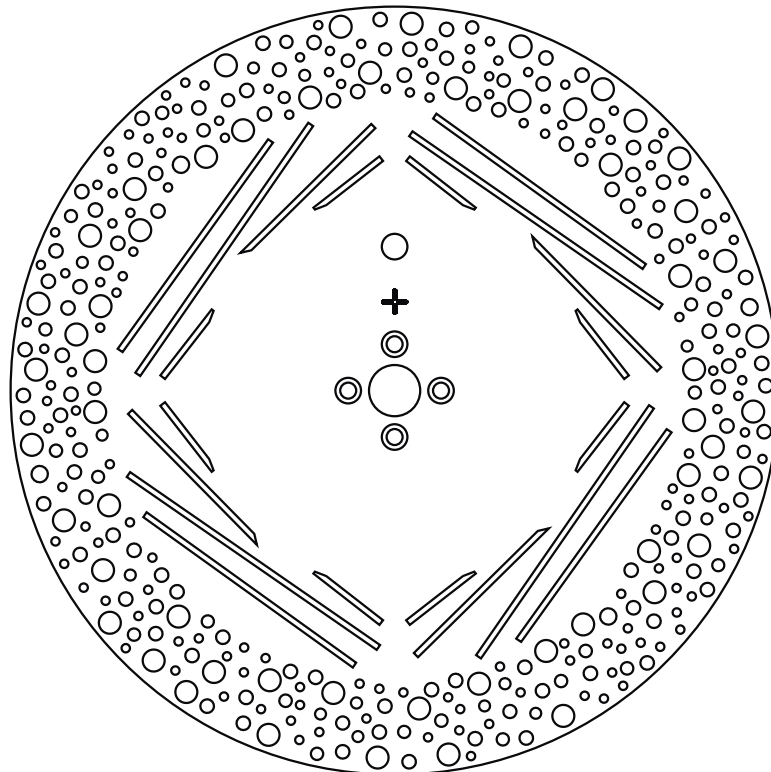


# COLORS AND GOBOS

## FIXED GOBO + ANIMATION WHEEL



## DUAL TRACK ANIMATION WHEEL

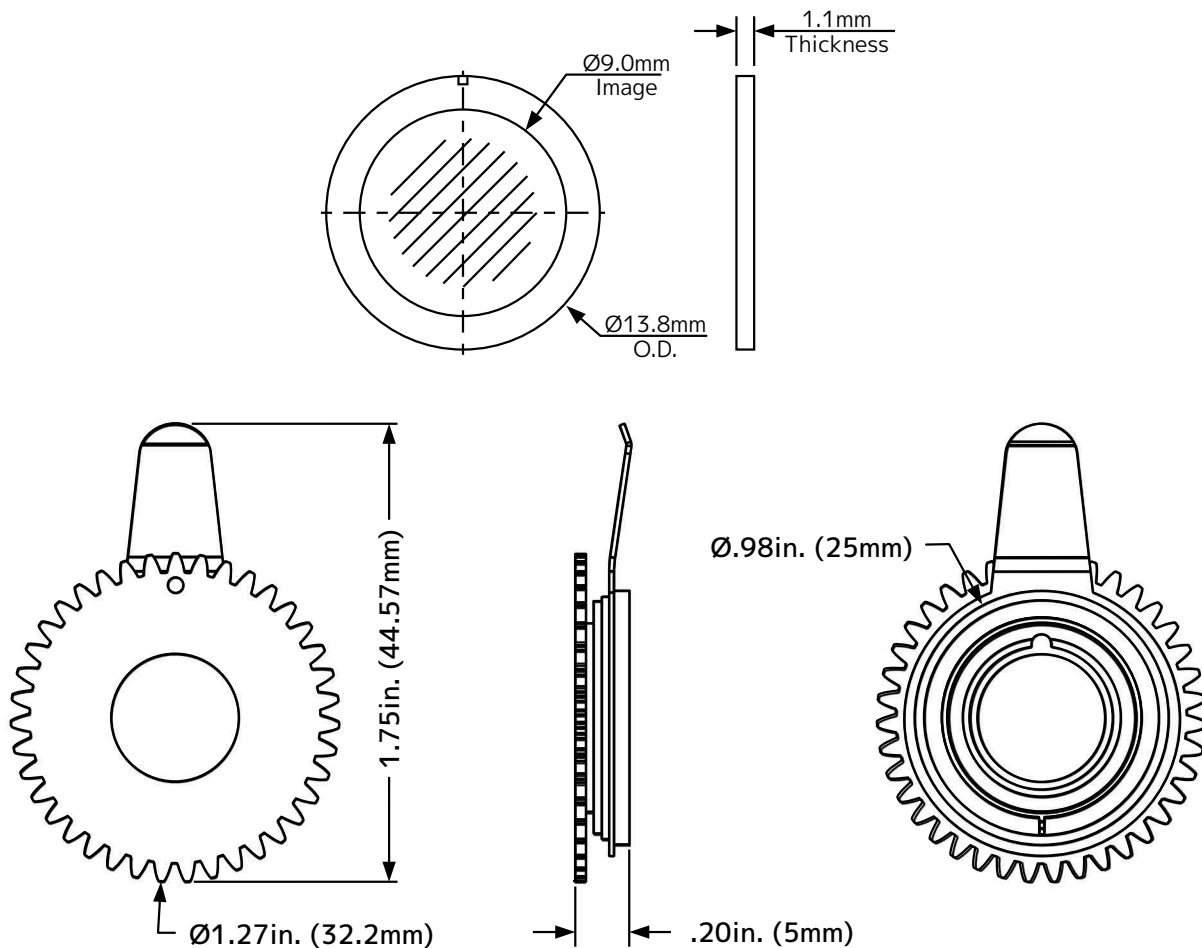




# COLORS AND GOBOS

## CUSTOM GOBOS

ROTATING WHEEL GOBOS	
Gobo O.D. (Max. Outer Diameter)	Ø13.8mm
Gobo I.D. (Max. Image Diameter)	Ø9.0mm
Gobo Holder Diameter	Ø14.0mm
Gobo Thickness	1.1mm±0.1mm
Gobo Material	BOROFLOAT GLASS



Please be aware of the intended position and correct sizing requirements of custom gobos.

### \*\*\* IMPORTANT NOTICE REGARDING CUSTOM GOBOS \*\*\*

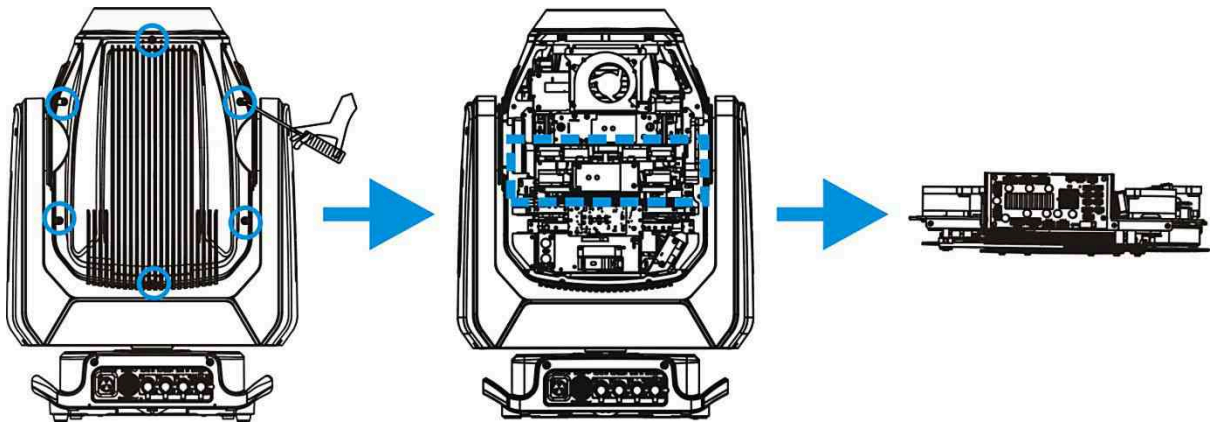
Due to the high temperature optical system, special glass material is required for custom gobos. Due to varying manufacturing processes and tolerances, it is highly recommended to provide a gobo sample and holder from the fixture to the custom gobo vendor for accurate sizing. Extended testing of custom gobo designs is highly recommended prior to use. Contact ELATION SERVICE for further information.

**ELATION SERVICE USA -Monday -Friday 8:00am to 4:30pm PST**  
**323-582-3322 | Fax 323-832-9142 | support@elationlighting.com**

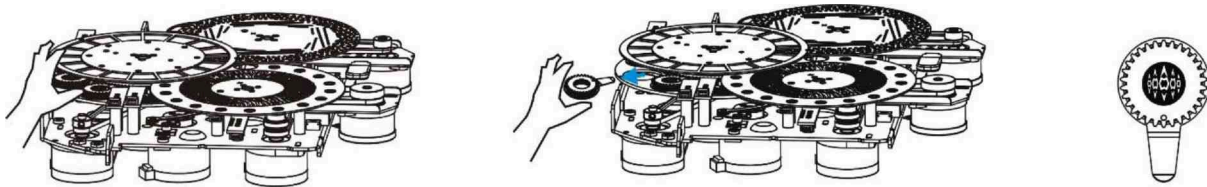
**ELATION SERVICE EUROPE -Monday -Friday 08:30 to 17:00 CET**  
**+31 45 546 85 63 | Fax +31 45 54685 96 | support@elationlighting.eu**

# COLORS AND GOBOS

## REPLACING A ROTATING GOBO

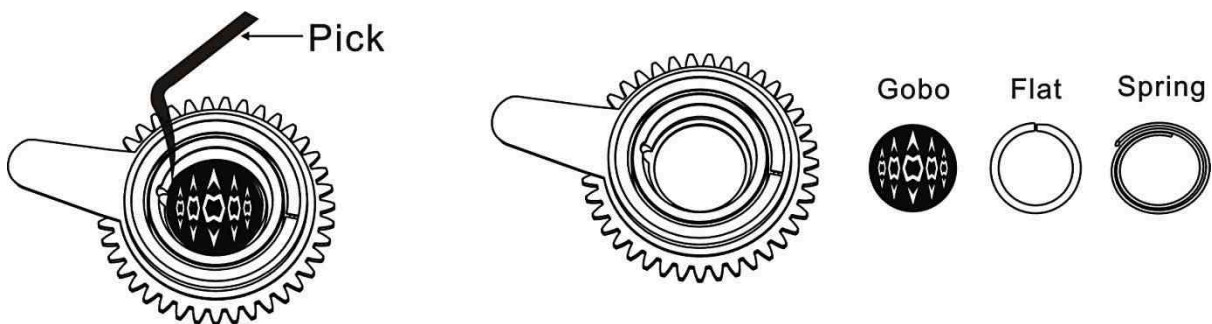


Place the fixture on a firm flat surface. Locate the (6x) screws on the side of the moving head and remove them. With the panel set aside, locate the Pattern Bracket Assembly and remove the (4x) screws that secure it to the internal housing frame.



Locate the (1x) screw on the side of the Pattern Bracket Assembly

Locate the specific Rotating Gobo to replace. Carefully grip the Gobo using your thumb and index finger, gently lift it slightly, and then pull it out and away until it fully clears the Gobo Wheel.



Locate the tab of the spring, and with a precision pick (or similar tool), carefully press the retaining spring inward to relieve the tension. Remove the retaining spring and carefully separate the GOBO from the GOBO Holder. Lastly, remove the flat washer attached to the removed GOBO and attach it to the desired replacement GOBO. Install the replacement Rotating GOBO following the steps above in reverse order.

**CAUTION: TAKE CARE NOT TO SCRATCH GOBO OR GOBO HOLDER**

# TORQUE SETTINGS FOR SCREWS

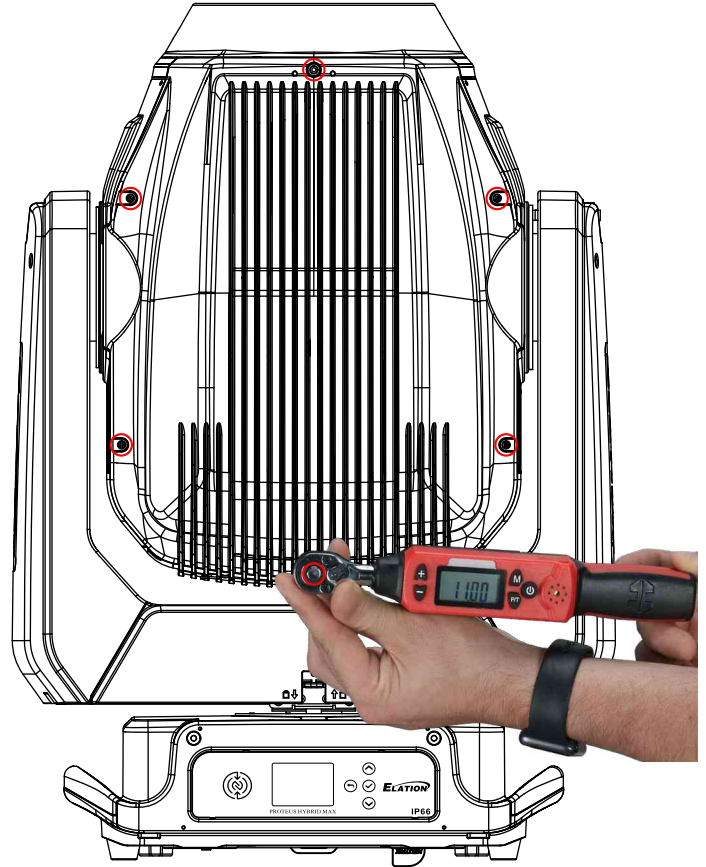


PANEL SCREWS MUST BE TIGHTENED WITH A TORQUE WRENCH ACCORDING TO THE TORQUE SPECIFICATION DESCRIBED BELOW.

The hex-head screws holding the panels **MUST** be tightened with a torque wrench (Torque Wrench Not Included).

**TORQUE SETTING = 11 lbf-in.  
(12.7kgf-cm)**

\* lbf-in = Pound Force Inches  
kgf-cm = Kilogram Force Centimeters



**CAUTION! DO NOT OVER TORQUE SCREWS AS THIS CAN CAUSE LEAKAGE ISSUES! TO CONFIRM THE IP66 INTEGRITY AFTER A PROCEDURE REQUIRING DISASSEMBLY/REASSEMBLY, TEST THE FIXTURE USING THE IP TESTER. CONTACT ELATION SERVICE FOR MORE DETAILS.**



**CAUTION! THE USE OF PROTECTIVE GLOVES AND SAFETY GOGGLES IS STRONGLY RECOMMENDED WHILE PERFORMING THE IP PRESSURE TEST! AVOID PLACING YOUR FACE, EYES, HANDS, ETC IN CLOSE PROXIMITY TO THE FIXTURE'S LENS WHILE PERFORMING THE TEST!**

IP PRESSURE TESTING PARAMETERS			
Test Type	Low Pressure Limit	High Pressure Limit	Hold Time
Vacuum Test	-4.35psi (-30.00 KPa)	-5.08psi (-35.00 KPa)	10s
Pressure Test	3.62psi (25.00 KPa)	4.35psi (30.00 KPa)	10s



# INSTALLATION GUIDELINES



## FLAMMABLE MATERIAL WARNING

Keep fixture minimum 65.62 feet (20m) away from flammable materials and/or pyrotechnics.



## ELECTRICAL CONNECTIONS

A qualified electrician should be used for all electrical connections and/or installations.



## MINIMUM DISTANCE TO OBJECTS/SURFACES MUST BE 65.62 FEET (20 METERS)



## MINIMUM DISTANCE OF INFLAMMABLE MATERIALS FROM THE SURFACE 1.64 FEET (0.5 METERS)



## DO NOT INSTALL THE FIXTURE IF YOU ARE NOT QUALIFIED TO DO SO!

Fixture **MUST** be installed following all local, national, and country commercial electrical and construction codes and regulations.

Before rigging/mounting the fixture to any metal truss/structure or placing the fixture on any surface, a professional equipment installer **MUST** be consulted to determine if the metal truss/structure or surface is properly certified to safely hold the combined weight of the fixture, clamps, cables, and accessories.

Overhead rigging requires extensive experience, including, amongst others, calculating working load limits, installation material being used, and periodic safety inspection of all installation material and the fixture. If you lack these qualifications, do not attempt the installation yourself. Improper installation can result in bodily injury.

Fixture ambient operating temperature range is **-4° to 113°F. (-20° to 45°C)**

Do not use the fixture under or above this temperature.

Fixture should be installed in areas outside walking paths, seating areas, or away from areas where unauthorized personnel might reach the fixture by hand.

**NEVER** stand directly below the fixture when rigging, removing or servicing.

Overhead fixture installation must always be secured with a secondary safety attachment, such as an appropriately rated safety cable.

Allow approximately 10 minutes for the fixture to cool down before servicing.

# INSTALLATION GUIDELINES

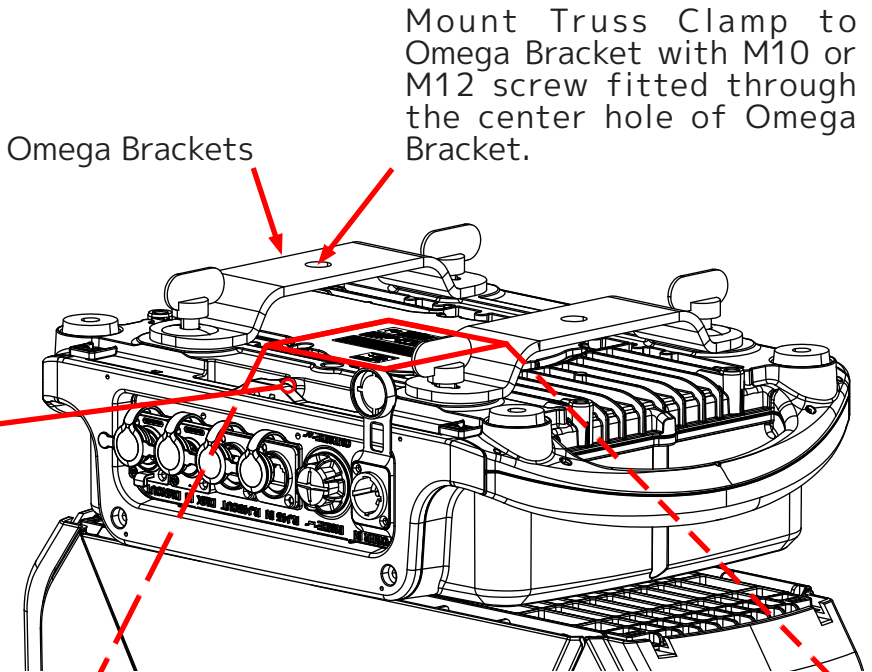
## OMEGA BRACKET WITH CLAMP INSTALLATION

When mounting the fixture to a truss, be sure to secure appropriately rated professional grade rigging clamps to the included Omega Brackets using an M10 or M12 screw fitted through the center hole of the Omega Brackets. **This fixture requires the installation of two Omega brackets and two clamps for secure truss mounting.**



**ALWAYS ATTACH A SAFETY CABLE WHENEVER INSTALLING THIS FIXTURE IN A SUSPENDED ENVIRONMENT TO ENSURE THAT THE FIXTURE WILL NOT FALL IF THE CLAMP FAILS.**

The fixture also provides a built-in attachment point for a **SAFETY CABLE**. Be sure to only use the designated attachment point for the safety cable and never secure a safety cable to a carrying handle.



Trade Mark: ELATION  
Model Number: PROTEUS HYBRID MAX  
CAN ICES-3(A)/NMB-3(A)

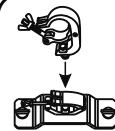
This device complies with Part 15 of the FCC Rules. Operation is subject to the following two conditions: (1) this device may not cause harmful interference, and (2) this device must accept any interference received, including interference that may cause undesired operation.

Product ID: PHM012/1237000271  
Model: PROTEUS HYBRID MAX  
Angle: 1.7° Battery Type: ICR14500(3.7V 700mAh)  
Voltage: AC 100-240V 50/60Hz  
Power: 800W  $t_a=45^\circ\text{C}$   
Made in China



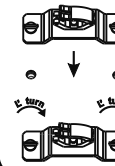
Elation Professional - Los Angeles - CA 90040 USA  
Elation Professional BV - Junostraat 2 - NL-6468EW Kerkrade  
[www.Elationlighting.com/www.Elationlighting.eu](http://www.Elationlighting.com/www.Elationlighting.eu)

Unit must be grounded.  
Read user manual before use.  
Do not open unit, risk of electric shock.



### Omega Bracket Installation Steps

1. Attached appropriately rated clamps onto both Omega Brackets.

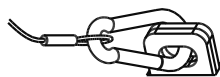


2. Insert Omega Brackets into matching mounting holes.

3. Turn both Quick-Lock Fasteners 1/4 turn clockwise to secure.

**PROFESSIONAL USE ONLY!** Read user manual completely before installation and use.  
**UNPLUG POWER BEFORE SERVICING FIXTURE! DO NOT PLUG FIXTURE INTO A DIMMER PACK!**  
**NEVER TOUCH FIXTURE DURING OPERATION, AS IT MAY BE HOT! NEVER LOOK DIRECTLY INTO THE LIGHT SOURCE! SENSITIVE PERSONS MAY SUFFER AN EPILEPTIC SHOCK!**  
Luminaire shall only be used with all protective covers and shields. Replace all damaged covers and shields. Maintenance and service operations by authorized dealers only!

Attach Safety Cable Here!

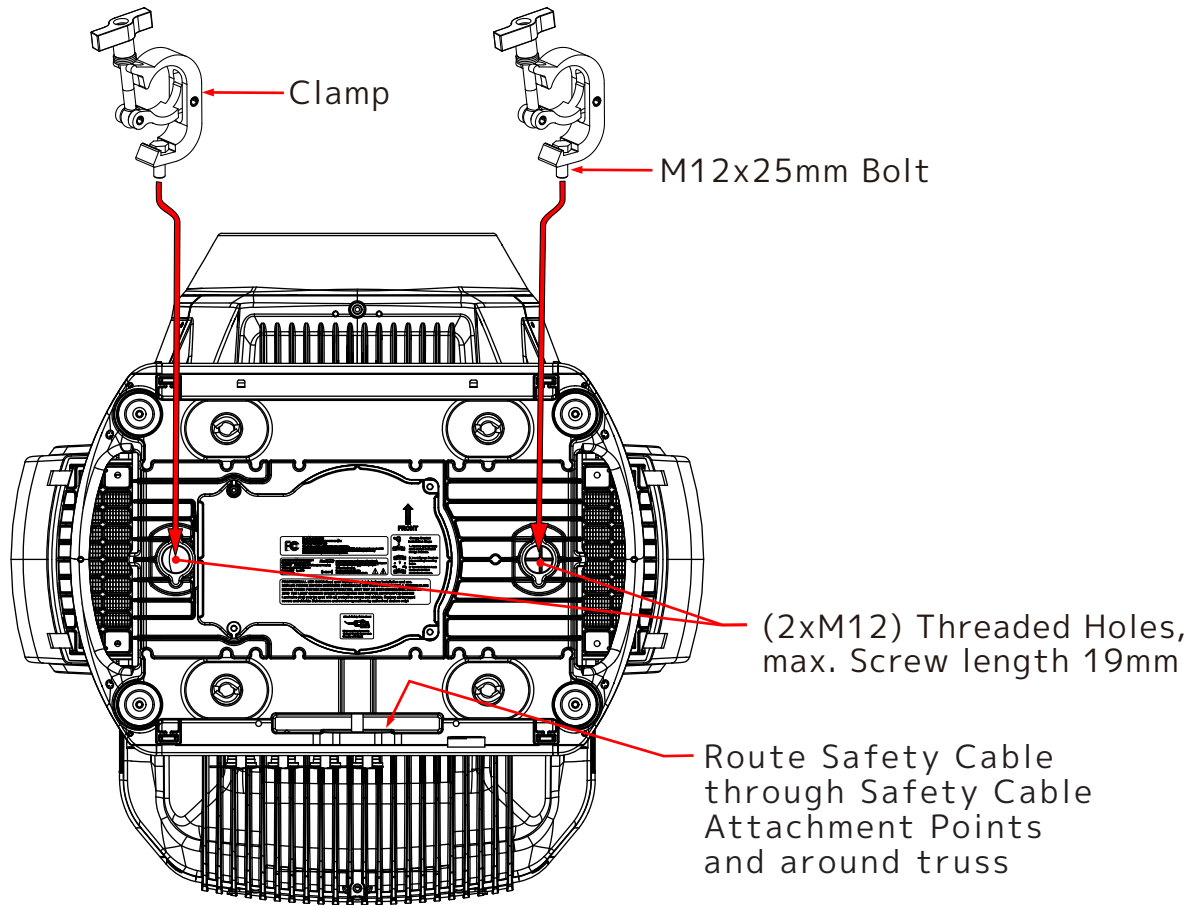


Minimum Requirements:  
12-Fold Weight Quick Link Shackle with Hook

# INSTALLATION GUIDELINES

## CLAMP INSTALLATION

Insert (2x) minimum grade 8.8 steel M12x25mm bolts (not included) through the respective mounting hole of the clamp (not included), and then thread it into the matching 12M holes on the bottom of the fixture base. Both bolts must be threaded at least 18mm (0.7ins) into the fixture base.



**ALWAYS ATTACH A SAFETY CABLE WHENEVER INSTALLING THIS FIXTURE IN A SUSPENDED ENVIRONMENT TO ENSURE THAT THE FIXTURE WILL NOT FALL IF THE CLAMP FAILS.**

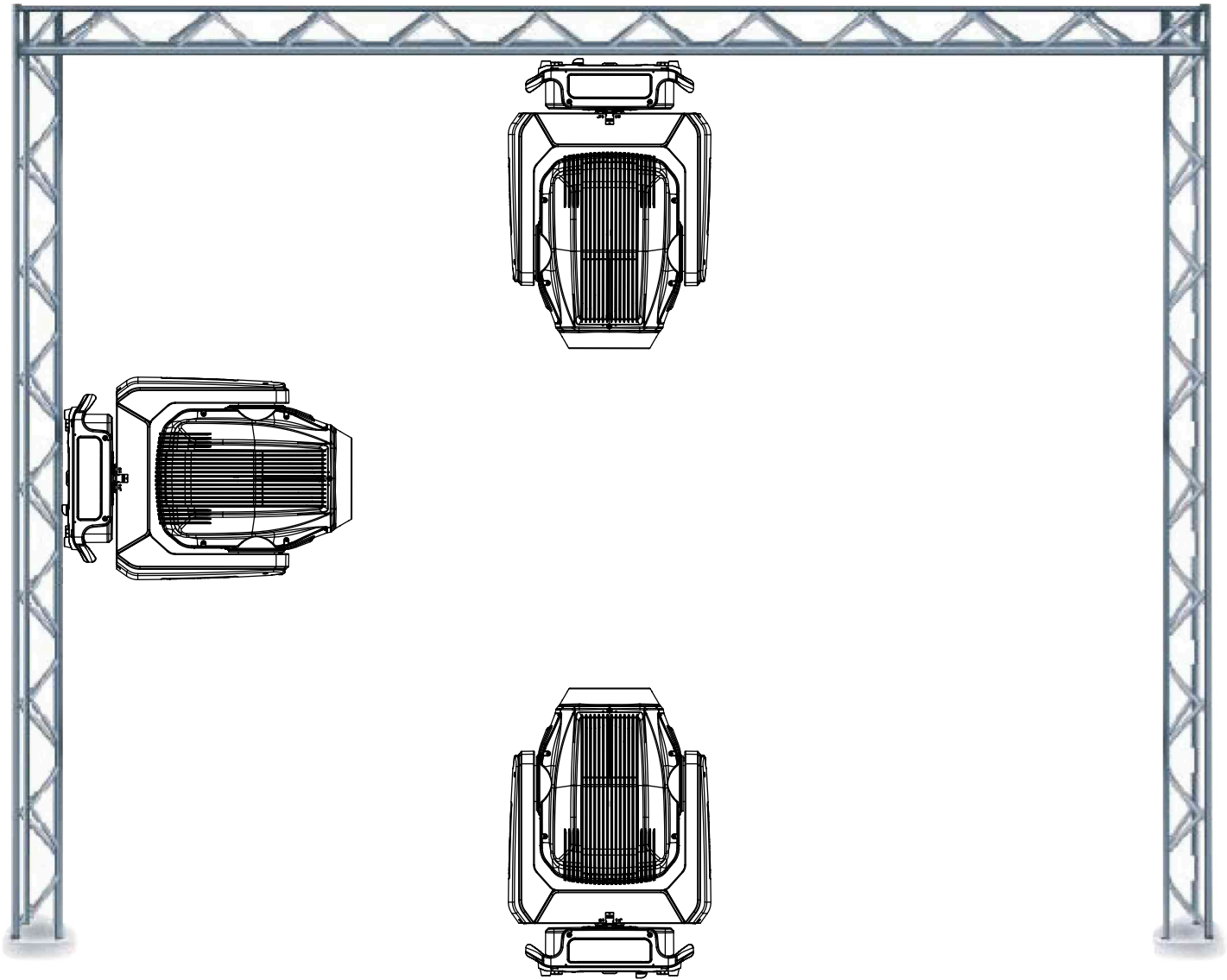
## MOUNTING THE FIXTURE ON A TRUSS USING CLAMPS

When mounting the fixture to a truss, be sure to secure an appropriately rated professional grade rigging clamp to the bottom of the fixture using (2x) minimum grade 8.8 steel (2x) M12x25mm bolts fitted through the mounting hole of the Clamp. The fixture provides built-in rigging points for a SAFETY CABLE (not included). Be sure to only use one of the designated rigging points for the safety cable and never secure a safety cable to a carrying handle.

# INSTALLATION GUIDELINES

## RIGGING

Overhead rigging requires extensive experience, including amongst others calculating working load limits, installation material being used, and periodic safety inspection of all installation material and the fixture. If you lack these qualifications, do not attempt the installation yourself. Improper installation can result in bodily injury. Fixture is fully operational in the specific mounting positions illustrated below.



**FALLING FIXTURES CAN CAUSE SEVERE INJURY OR SERIOUS EQUIPMENT DAMAGE! FOR THIS REASON, FIXTURES SHOULD BE INSTALLED AND INSPECTED ONLY BY QUALIFIED PERSONNEL. DO NOT INSTALL THE UNIT IF YOU LACK THE QUALIFICATIONS TO DO SO, OR IF YOU HAVE DOUBTS ABOUT THE SAFETY AND SECURITY OF THE INSTALLATION SETUP OR LOCATION!**



**ALWAYS ATTACH A SAFETY CABLE WHENEVER INSTALLING THIS FIXTURE IN A SUSPENDED ENVIRONMENT TO ENSURE THE FIXTURE WILL NOT FALL IF THE CLAMP FAILS.**

# INSTALLATION GUIDELINES

## ART-NET | sACN CONNECTION

When connecting fixture to a network switch to control multiple devices, a Gigabit Ethernet Switch that supports IGMP (Internet Group Management Protocol) is required. Using a Gigabit Ethernet Switch that does not support IGMP can cause erratic behavior of all connected devices to the switch. Click link below for more information about IGMP.

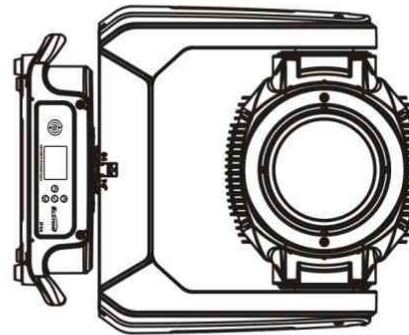
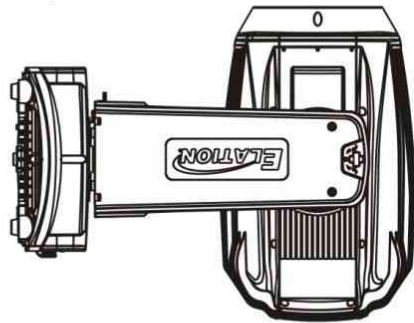
[https://en.wikipedia.org/wiki/Internet\\_Group\\_Management\\_Protocol](https://en.wikipedia.org/wiki/Internet_Group_Management_Protocol)

## POWER AND DATA CABLES



**TO MAINTAIN THE IP66 RATING INTEGRITY OF THE FIXTURE, ALL CABLES MUST BE RUN TOWARDS THE GROUND TO PREVENT WATER ACCUMULATION AROUND THE CONNECTIONS.**

SYSTEM MENU LCD DISPLAY



CABLES

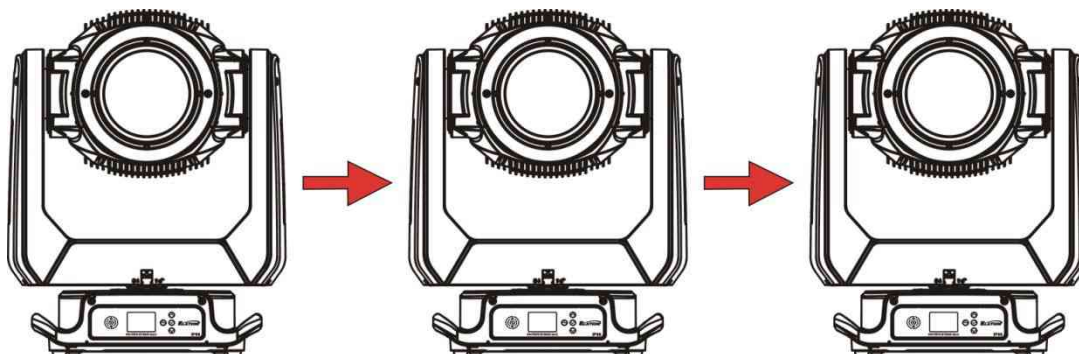


CABLES

## RJ45 DATA CABLES



**THE INCLUDED RJ45 DATA CABLE IS FOR FIXTURE TO FIXTURE INTERCONNECTIONS ONLY! THE RJ45 CABLE CONNECTORS MAY NOT BE COMPATIBLE WITH OTHER RJ45 OR ETHERNET TYPE CONNECTORS.**



In standard mode, 16 fixtures can be daisy-chained over Artnet and sACN.  
In extended mode, 11 fixtures can be daisy-chained over Artnet and sACN.



# INSTALLATION GUIDELINES

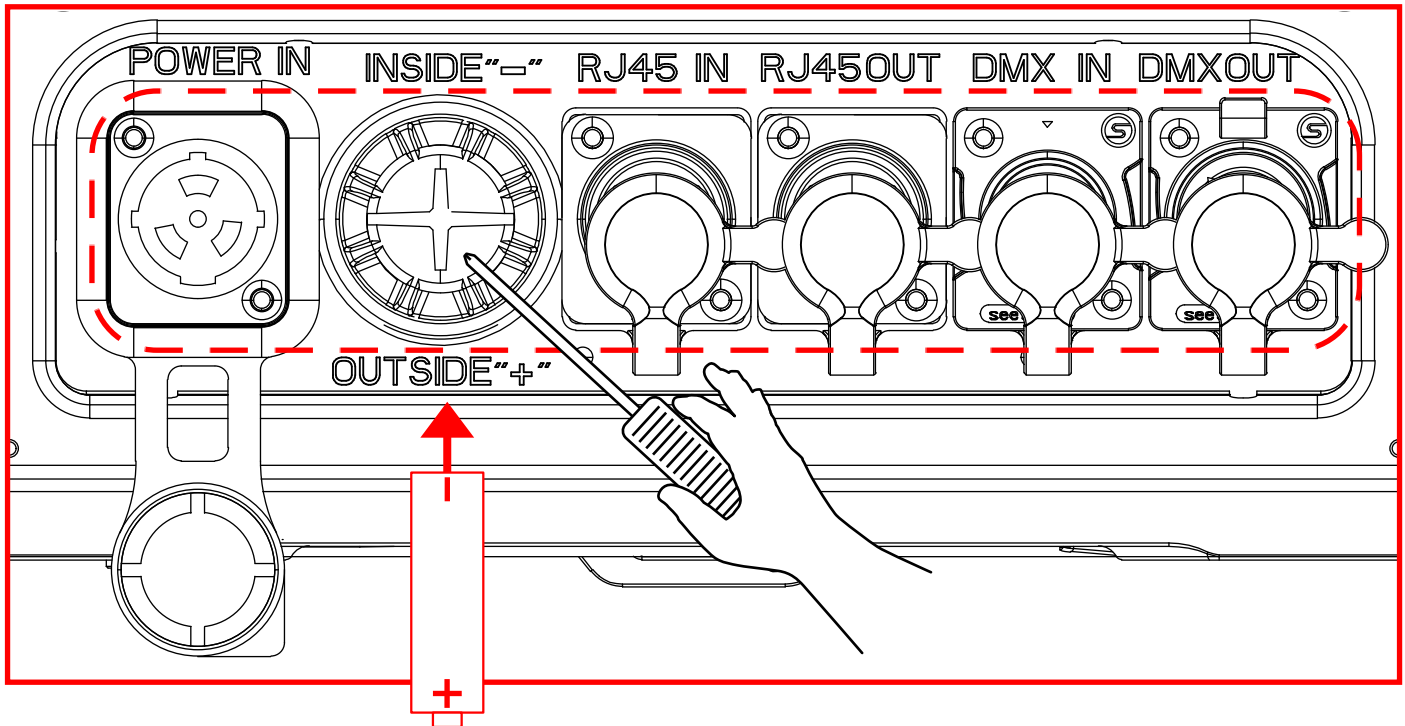
## POWER AND DATA CABLES



ENSURE ALL CONNECTIONS AND END-CAPS ARE PROPERLY SEALED WITH DIELECTRIC GREASE (AVAILABLE AT MOST ELECTRICAL SUPPLIERS) TO PREVENT WATER CORROSION AND/OR ELECTRICAL SHORT CIRCUIT.



TO MAINTAIN THE IP66 RATING INTEGRITY OF THE FIXTURE AND PREVENT WATER FROM ENTERING THE FIXTURE, SEAL ALL UNUSED CONNECTION RUBBER CAPS.



## BATTERY REPLACEMENT



Installing the battery incorrectly, in the wrong orientation, where the Plus (+) is inside and Negative (-) is outside, will lead to internal electronics and battery damage. A qualified electrician should be used for all electrical connections and/or installations.

1. Loosen the screw cap for the battery compartment.
2. Remove old battery and replace (**inside "-"**, and **outside "+"**).

**NOTE:** Replace the battery only with an Li-ion battery (IRC14500/700mAh), which can be ordered from the Elation Parts Website <https://parts.elationlighting.com>. Replace and tighten screw cap for the battery compartment.

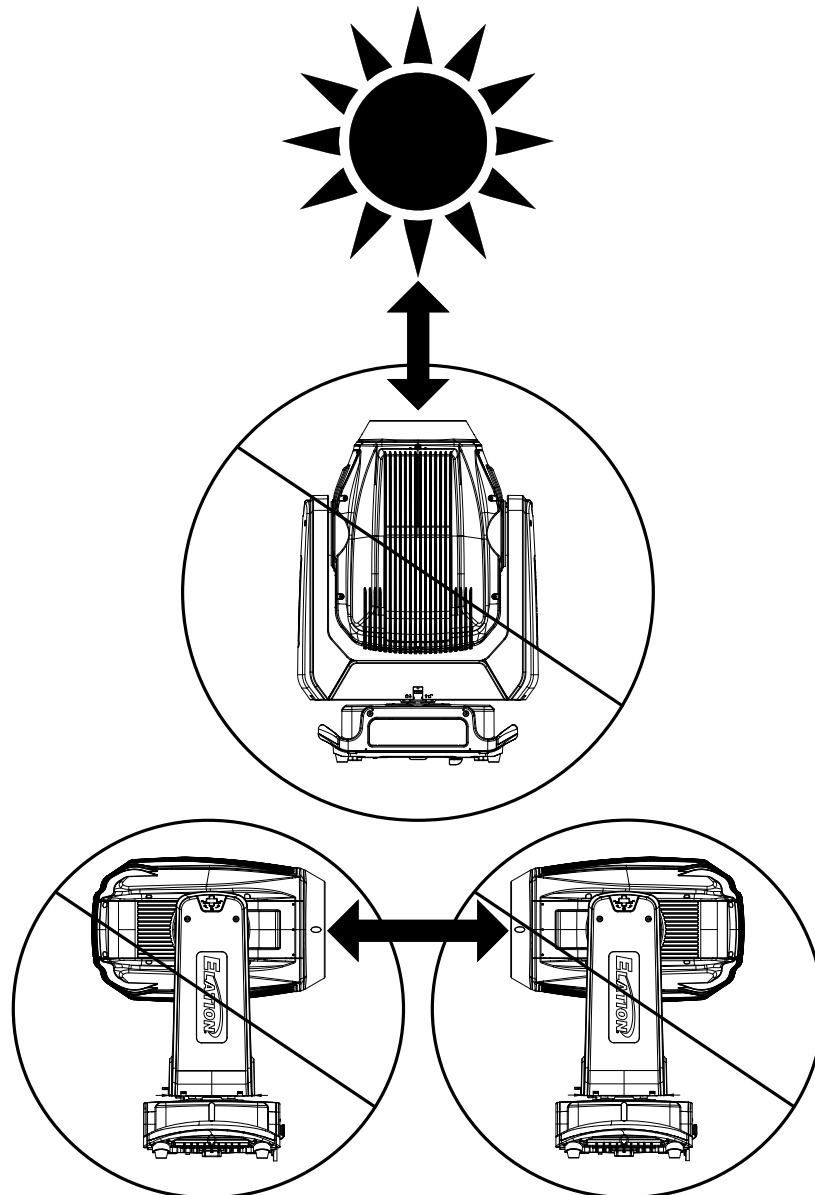
# INSTALLATION GUIDELINES

## POTENTIAL INTERNAL FIXTURE DAMAGE FROM EXTERNAL SOURCES OF LIGHT BEAMS

External sources of light beams from direct sunlight, lighting and moving head fixtures, and lasers, which are focused directly towards the exterior housing and/or penetrate the front lens opening of Elation lighting fixtures, can cause severe internal damage including burning of optics, dichroic color filters, glass and metal gobos, prisms, animation wheels, frost filters, iris, shutters, motors, belts, wiring, discharge lamps, and LEDs.

This issue is not specific only to Elation lighting fixtures, but rather it is a common issue with lighting fixtures from all manufacturers. Although there is no true way to fully prevent this issue from happening, the guidelines below can reduce the risk of potential damage. Contact Elation Service for more details.

**DO NOT EXPOSE THE FIXTURE AND/OR FRONT LENS OPENING TO LIGHT BEAMS FROM DIRECT SUNLIGHT, OTHER LIGHTING OR MOVING HEAD FIXTURES, AND LASERS DURING UNPACKING, INSTALLATION, USE, AND EXTENDED IDLE TIMES OUTDOORS. DO NOT FOCUS A LIGHT BEAM FROM ONE LIGHTING FIXTURE DIRECTLY TOWARDS ANOTHER.**



# SUN PROTECTION MODE

The fixture incorporates an automatic protection from harmful sunlight, which can damage a fixture's internal components from extended exposure. Fixtures use an internal sensor to determine their physical orientation, then reorient the fixture towards the ground to prevent sunlight from entering the lens.

This automatic feature only works when the fixture is powered. If the fixture is unpowered during setup, it is necessary to manually reorient the lenses away from the sun, and aim them towards the ground. Even a few minutes of sun exposure can cause damage inside the fixture.

The Sun Protection setting is accessed via the "No DMX Status" menu.

The automatic sun protection positioning is activated under the following conditions:

1. Power on without DMX signal: the fixture always starts in sun protection mode.
2. No DMX Status "Sun Protection": the fixture enters sun protection mode after approximately 3 minutes.
3. Remote DMX control: the sun protection position can be **temporarily** activated from the lighting console without the need to create a custom position preset. The fixture senses the correct ground orientation. This means that fixtures already facing the ground may not move their heads.

Hold "Sun Protect Position" for 3s to set the fixture to the sun protection position.

Sun protection status displays as "**Sun Protection: Active**".

The sun protection position deactivates under the following conditions:

1. Connect DMX signal.
2. Remote DMX control: Hold "Sun Protection Off" for 3s.

To avoid harsh or jarring movements, the sun protection position always uses a 5-second fade time when it is activated or deactivated.

# HIBERNATION MODE

To reduce wear on the fixture and its components, this mode disables motors and most electronics. Set the hibernation mode countdown time in the Display Menu: "Status Settings / Personality / Hibernation". Hibernation can be fully disabled.

The hibernation mode activates under the following conditions:

1. Loss of DMX: the fixture enters hibernation after the timeout expires. Default is 15 minutes.
2. Remote DMX control: Hold "Hibernate Fixture" for 3s

The hibernation mode deactivates under the following conditions:

1. Connect DMX Signal
2. Remote DMX control: Hold "Hibernate Off" for 3s

The fixture will perform a full calibration cycle, then assume the current DMX status.

Please note that the Hibernation does not change the PT position of the fixtures, allowing the user to set the desired position and then issue the Hibernate command.

To ensure the fixture is protected from harmful sunrays it is recommended to either leave the "No DMX Status" in "Sun Protection" (so the fixture is already in the correct position after 3 minutes of DMX loss) or set the fixture to a safe Tilt position manually first before hibernation.

**Burn and heat damage to the fixture's interior components due to external light sources (sun or other fixtures shining into the lens) is never covered under the manufacturers warranty.**

# SKY MOTION

## INTRODUCTION

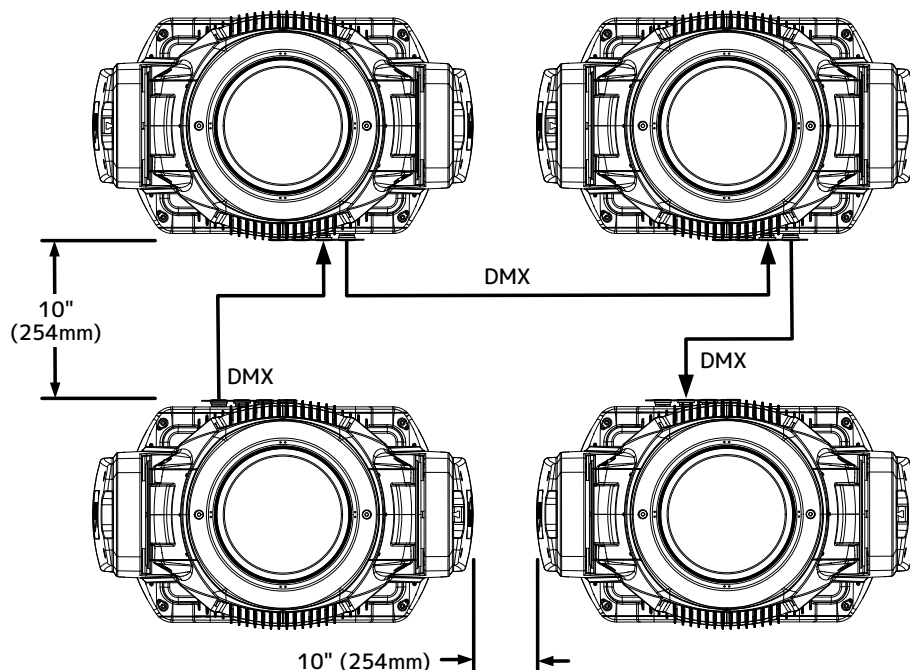
Sky Motion is an innovative feature of the Proteus Hybrid Max which allows a fixture or group of fixtures to operate as a search light effect without the need for a dedicated lighting controller. Multiple fixtures can be interconnected, and with the simple assignment of IDs the fixture provides immediate access to a variety of search light effects that are easily adjustable in size, speed, and color.

Comparable in output to large 2000W or 4000W Xenon fixtures, the Proteus Hybrid Max operates at a fraction of the power, supports a wide range of 100V-240V power sources, has a much smaller footprint, lower weight, and is fully IP66 rated.

## SETUP

Sky Motion is designed to accommodate up to four unique fixture IDs. Fixtures with the same ID will always be at an identical position and have the exact shape, speed, and size. One fixture in the system must be set to the ID "MAIN", which provides all control signals and movement synchronization. Use ID "1" for other fixtures if needed.

For a traditional searchlight system, place four Proteus Hybrid Max fixtures closely together in a 2x2 grid. **The fixtures require a minimum space of 10" (255mm) between the fixture bases to ensure that the heads do not come into contact while in motion.** All cable connections should face inwards, and all displays should face outwards.

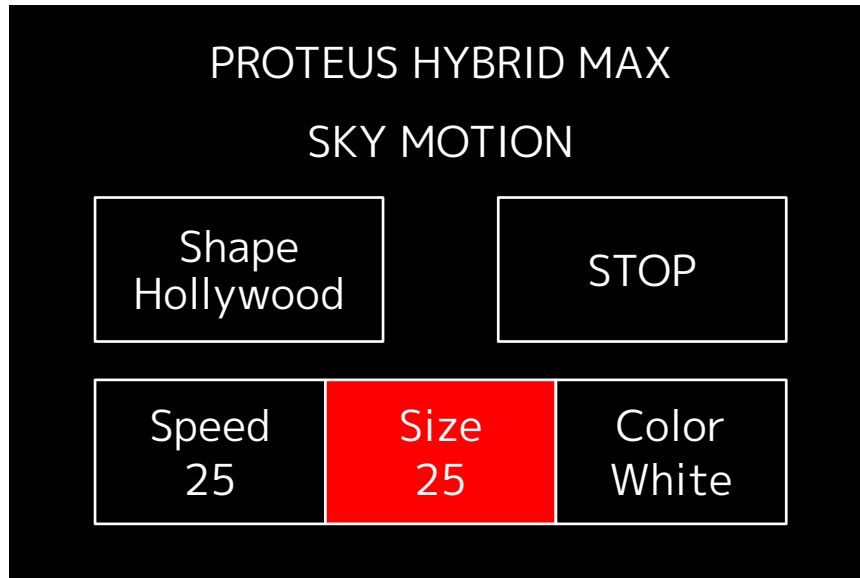


1. Connect fixtures to a suitable grounded power source.
2. Link fixtures via IP66-rated 5-pin DMX cables. Connect "DMX Out" from MAIN fixture to "DMX In" of the next. Cable order doesn't affect operation. **Do NOT connect the last fixture back to MAIN fixture.** Maximum combined cable length: 330 ft (100m).
3. Power on fixtures, wait for calibration cycle.
4. Enter System Menu: Hold "ENTER" 10sec. In menu, navigate to "Sky Motion," press "Enter."
5. Enable Sky Motion: On screen, select "Mode," press "ENTER," set to "ON." Confirm by pressing "ENTER" again.
6. Set fixture ID: One fixture as "MAIN." For easy access, choose a nearby fixture; all adjustments are done on MAIN.
7. Set IDs for other fixtures clockwise: 2, 3, and 4. Consider labeling IDs for clarity. IDs also display on Proteus Hybrid Max. Repeat IDs 1-4 as needed.
8. After setting fixture ID, exit Menu using "BACK." Dedicated Sky Motion home screen appears. Fixtures move in sync.

# SKY MOTION

## OPERATION

All settings are configured from the MAIN fixture. The display screens on the other fixtures show the ID and settings, but all control via the screens is disabled. The Sky Motion system is controlled by this simple display screen:



If the screen is locked, hold "ENTER" for 10 sec until the countdown is completed. Select one of the available shapes in the top left box. Use the arrow keys to navigate, noting that the current selection is indicated by the red highlighting, then press "ENTER" to select. Use the Up/Down arrows to browse the shapes and preview the results.

The most commonly used selection is "Hollywood", which emulates the traditional Xenon Searchlight movement found at movie premieres and special events.

The following unique shapes are available:

- Sky Tracer
- Sky Tracer Offset
- Hollywood
- Hollywood Offset
- Searchlight
- Searchlight Offset
- Diagonal
- Diagonal Offset
- Bounce

After the desired shape has been selected, the speed and size can be adjusted using the arrows and "ENTER" key. Observe the motion of the fixture to confirm that you are satisfied with the range and speed. Always press "ENTER" to confirm the changed value.

In addition to the Shape, Size, and Speed, it is also possible to select a color for the fixtures. 16 color choices are available, plus random color chases and color scrolls. Simply use the arrows to adjust, then confirm with "ENTER". Set the fixture back to White or any other color to stop the color changes.

# REMOTE DEVICE MANAGEMENT (RDM)

**NOTE: In order for RDM to work properly, RDM enabled equipment must be used throughout the entire system, including DMX data splitters and wireless systems.**

Remote Device Management (RDM) is a protocol that sits on top of the DMX512 data standard for lighting, allowing the DMX systems of the fixtures to be modified and monitored remotely. This protocol is ideal for instances in which a unit is installed in a location that is not easily accessible.

With RDM, the DMX512 system becomes bi-directional, allowing a compatible RDM enabled controller to send out a signal to devices on the wire, as well as allowing the fixture to respond (known as a GET command). The controller can then use its SET command to modify settings that would typically have to be changed or viewed directly via the unit's display screen, including the DMX Address, DMX Channel Mode, and Temperature Sensors.

## FIXTURE RDM INFORMATION:

RDM Code	Device ID	Device Model ID	Personality ID
0x22A6	OPEN	0x71F	Standard Mode (1) Extended Mode (2)

**Please be aware that not all RDM devices support all RDM features,** and therefore it is important to check beforehand to ensure that the equipment that you are considering includes all of the features that you require.

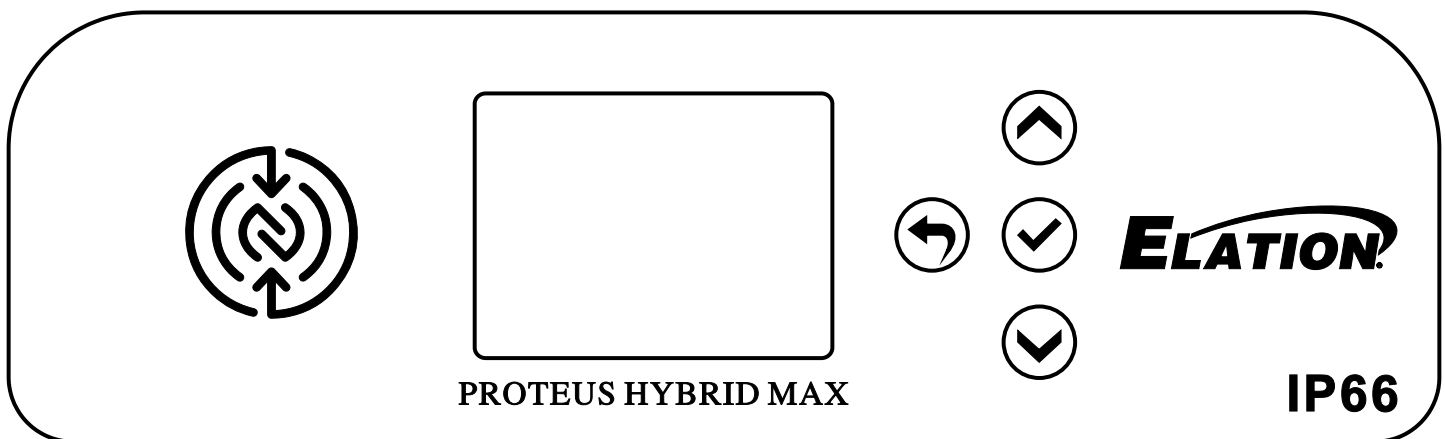
The following parameters are accessible in RDM on this device:

[0x0200] Sensor Definition
[0x0201] Sensor Value
[0x0080] Device Model Description
[0x0081] Manufacturer Label
[0x0082] Device Label
[0x00E0] DMX Personality
[0x00E1] DMX Personality Description
[0x0400] Device Hours
[0x0401] Lamp Hours
[0x0403] Lamp State
[0x0600] Pan Invert
[0x0601] Tilt Invert
[0x0500] Display Invert

# SYSTEM MENU

The fixture includes an easy to navigate system menu. The control panel (see image below) is located on the front of the fixture and provides access to the main system menu where all necessary system adjustments can be made. During normal operation, pressing ENTER button once will access the fixture's main menu. Once in the main menu, you can navigate through the different functions and access the sub-menus with the UP and DOWN buttons. Once you reach a field that requires adjusting, press the ENTER button to activate that field and use the UP and DOWN buttons to adjust the field. Pressing the ENTER button once more will confirm your setting. You may exit the main menu at any time without making any adjustments by pressing the BACK button.

To access the LCD Menu Control Display via the internal battery, press and hold the ENTER button for 10 seconds. The LCD Menu Control Display will shut OFF automatically about 1 minute from the last button press.



## BATTERY

This unit features a dedicated battery that can be used to power the screen display. This allows the user to configure the device's channel mode, DMX address, or any other screen-accessible features without needing to power on the device or even connect it to a power source. To activate the display on battery power, press and hold the ENTER button for 3 seconds.

**ALTHOUGH ARIA SETTINGS MAY APPEAR IN THE SYSTEM MENU, THIS FEATURE IS NOT ACTIVATED. ARIA WIRELESS DMX IS AN OPTIONAL FEATURE WHICH MUST BE ACTIVATED IN THE SERVICE MENU. PLEASE CONTACT ELATION SERVICE FOR FURTHER DETAILS.**



**AN ELATION E-LOADER III CAN BE USED TO UPDATE THE FIXTURE TO THE LATEST SOFTWARE. SEE PAGE 43 FOR INSTRUCTIONS. TO ORDER THIS DEVICE, PLEASE CONTACT ELATION SUPPORT FOR FURTHER DETAILS.**

**ELATION SERVICE USA - Monday - Friday 8:00am to 4:30pm PST  
323-582-3322 | Fax 323-832-9142 | support@elationlighting.com**

**ELATION SERVICE EUROPE - Monday - Friday 08:30 to 17:00 CET  
+31 45 546 85 63 | Fax +31 45 546 85 96 | support@elationlighting.eu**

# SYSTEM MENU

MAIN MENU		OPTIONS / VALUES (Default Settings in <b>BOLD</b> )		
DMX Settings	DMX Address	<b>001</b> - 512		
	DMX Mode	Standard		
	No DMX Status	<b>Hold Last</b>		
		Fade to Black		
		Sun Protection		
		Hibernation	Off, 1-99M ( <b>Default = 15 Min</b> )	
	Protocol	Select Signal	<b>DMX</b> / Art-Net / sACN / Aria In-DMX Out / DMX In - Aria Out	
		Universe	1	
		DHCP	<b>Off/On</b>	
		IP Address	2.x.x.x	
Subnet Mask		<b>255.0.0.0</b>		
Ethernet DMX Out		<b>Off/On</b>		
Aria	Aria Channel	<b>0</b> -14		
Sky Motion	Mode	<b>Off/On</b>		
		Shape	<b>Hollywood</b>	
		STOP		
		Speed		
		Size		
	Color	<b>White</b>		
Fixture ID	<b>Main</b> , 1,2,3,4			
Display Lock	<b>Off/On</b>			
Control	Manual Control	Dimmer 0% - <b>100%</b>		
		Pan		
		Tilt		
		...		
	Reset	All		
		Pan Tilt		
		Color		
		Gobo		
		Shutter		
	Self Test	Others		
		All		
		Dimmer		
		Movement		
Color Mix				
Lamp	Gobo			
	Beam			
	Strike	Off/On		
	Automatic	<b>Off/On</b>		
Settings	Power	<b>560/430/370</b>		
	Max Humidity	20-100 ( <b>70%</b> )		
	Movement	Pan Invert	<b>Off/On</b>	
		Tilt Invert	<b>Off/On</b>	
Pan Tilt Speed		Smooth/ <b>Fast</b>		
Pan Tilt Brake		Smooth/ <b>Fast</b>		
Pan Degree		360 / 360 Short / <b>540</b>		
Pan Path		Short/ <b>Continue</b>		
Color	Pan Tilt Feedback	<b>Off/On</b>		
	CMY Speed	Smooth/ <b>Fast</b>		
	Linear			
Dimmer Curve	Square			
	Square Inverse			
	<b>S-Curve</b>			
Display	Screen Delay	10s - 5min (Default = <b>1 min</b> )		
	Screen Lock	<b>Off</b> , 10s - 5 min		
	Auto Rotate	<b>Off/On</b>		
Reset Defaults	Yes / No			



# SYSTEM MENU

MAIN MENU	OPTIONS / VALUES (Default Settings in <b>BOLD</b> )	
<b>Information</b>	Time	Current Time
		Total Run Time
		Last Run Time
		Lamp Time
		Lamp Active Time
		Lamp Idle Time
		Lamp Life xx%
	Temperature	Head
		Base
		Lamp
	Humidity	Head
		Base
	Fan	Fan 1U (Position)
		Fan 1U (Position)
DMX Values	Pan	
	Tilt	
	...	
Product IDs	RDM UID	
Error Logs	Fixture Errors	
Software Version	Vx.x	
<b>Service (Passcode = 050)</b>	Maintenance Mode	Off/On
	Vent Clean	Off/On
	Calibration	Dimmer
		Pan
		Tilt
		...
	Reset Last Run	Yes / No
Reset Lamp Time	Yes / No	
Reset Error Logs	Yes / No	
<b>Display Shortcuts</b>		
<b>Power Off</b>		
ENTER (3s)	activate battery mode	
<b>Power On</b>		
Enter (10s)	unlock display, show 10s countdown	
Up+Down (3s)	disable Pan Tilt	
Enter+ UP (3s)	Lamp On	
Enter + Down (3s)	Lamp Douse	
Back + Enter (10s)	countdown 10 sec	
	Reset to Default (no/yes)	

# SYSTEM MENU

**NOTE:** The Service Password MUST be entered in order to access the following menus: **Clear Err. Info , and DFLT Pow. Lamp On.**

## **PERSONALITY - Display Setting - Key Lock**

When ON, Control Panel buttons lock automatically after exiting main menu for 15 seconds. To unlock, keep **MODE/ESC** button pressed for 3 seconds.



**ONLY QUALIFIED TECHNICIANS SHOULD PERFORM THIS FUNCTION!**

This function restores all fixture settings to the factory default settings.

## **CONTROL - Self Test**

This function runs a continuous test loop on the selected feature or the entire fixture.

## **SELF TEST - Manual Control**

Select and manually test and fine adjust each individual channel function Independently from DMX control board. This function will center PAN and TILT motors and set dimmer to 100%. PAN and TILT functions will still operate if the fixture needs to be positioned to a flat clear surface. With the individual functions, you can focus the light on a flat surface (wall) and perform fine adjustments.

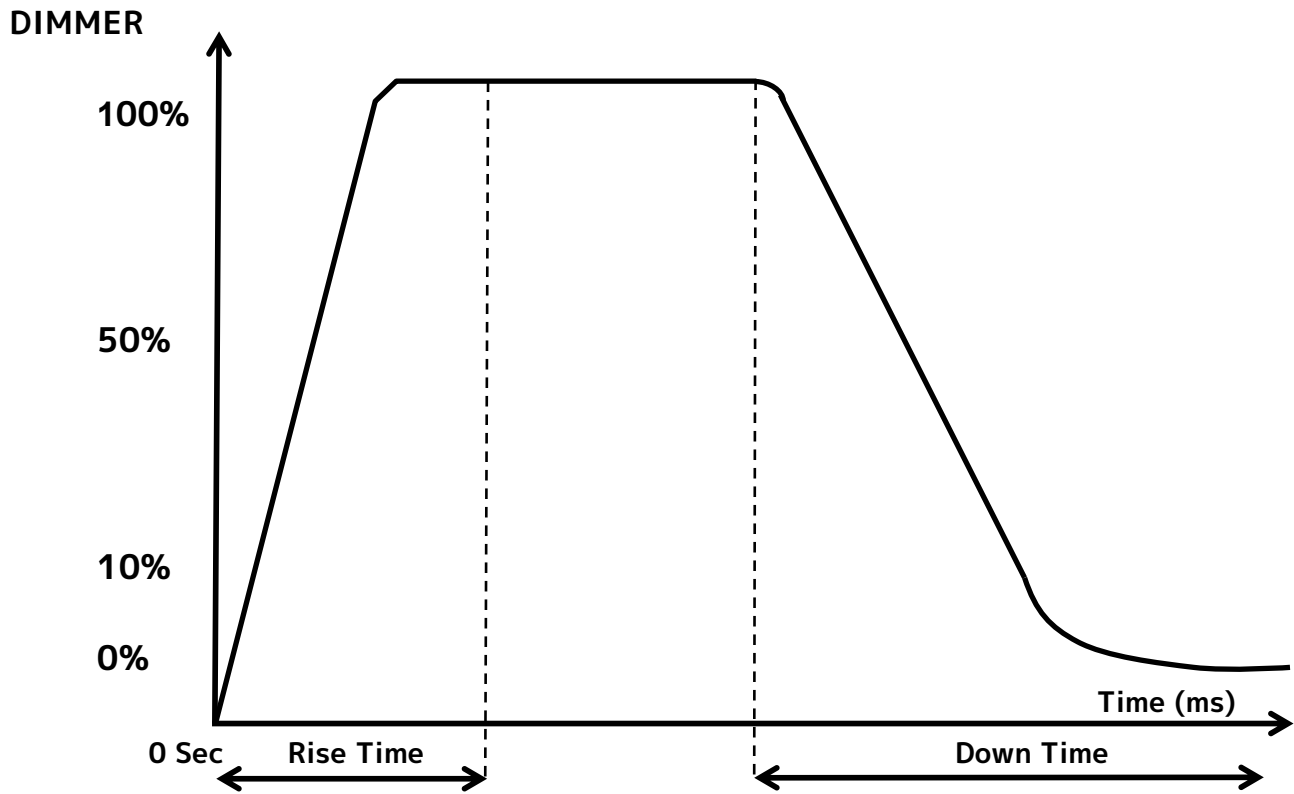
## **CALIBRATION**



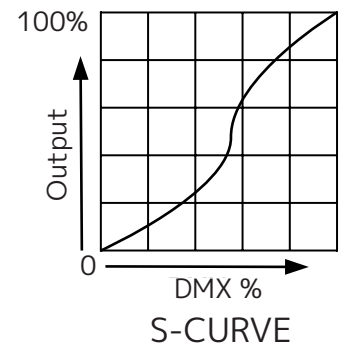
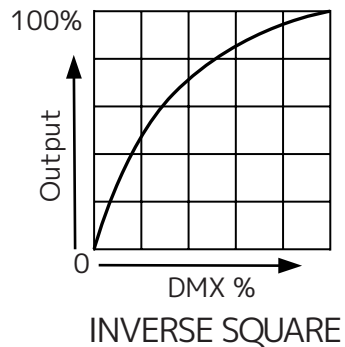
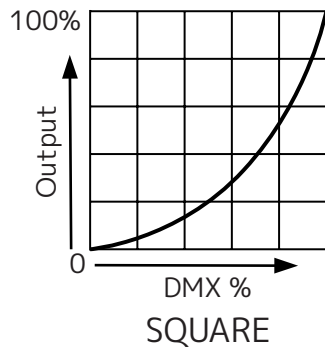
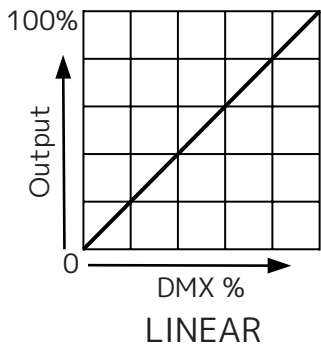
**ONLY QUALIFIED TECHNICIANS SHOULD PERFORM THIS FUNCTION.**

This function allows small adjustments to be made to the Pan, Tilt, and Zoom movements to compensate for wear or in the event a sensor has been knocked slightly out of place. Because improper use of this function can result in undesired operation this function has been password protected. The password is 050 and must be entered each time the calibration menu function is entered. Because calibration is an extremely delicate procedure, instructions on performing this action are left out of this manual. For a first-time calibrator, please contact our customer support team for step-by-step instructions.

# DIMMER MODES AND DIMMER CURVES



Dimming Curve Ramp Effect	0 sec Fade Time		1 sec Fade Time	
	Rise Time (ms)	Down Time (ms)	Rise Time (ms)	Down Time (ms)
Standard (default)	0	0	0	0
Stage	780	1100	1540	1660
TV	1180	1520	1860	1940
Architectural	1380	1730	2040	2120
Theatre	1580	1940	2230	2280
Stage 2	0	1100	0	1660



# DMX TRAITS

Standard	Extended	Value	Function	Snap	Default Value
1	1	0-255	<b>Pan</b>		127
			Left → Right		
2	2	0-255	<b>Pan Fine</b>		127
			Fine Position		
3	3	0-255	<b>Tilt</b>		127
			Forward → Backward		
4	4	0-255	<b>Tilt Fine</b>		127
			Fine Position		
5	5		<b>Pan Rotate</b>		0
		0 – 2	Disabled		
		3 – 126	Rotating Clockwise Fast → Slow		
		127 – 129	No rotation (Fixture stops at its current position)		
		130 – 253	Rotating Counter-Clockwise Fast → Slow		
		254 – 255	No rotation (Fixture stops at its current position)		
6	6	0-255	<b>Cyan</b>		0
			0 → 100%		
	7	0-255	<b>Cyan Fine</b>		0
			Fine Saturation		
7	8	0-255	<b>Magenta</b>		0
			0 → 100%		
	9	0-255	<b>Magenta Fine</b>		0
			Fine Saturation		
8	10	0-255	<b>Yellow</b>		0
			0 → 100%		
	11	0-255	<b>Yellow Fine</b>		0
			Fine Saturation		
9	12	0-255	<b>CTO</b>		0
			Cold → Warm		
	13	0-255	<b>CTO Fine</b>		0
			Fine Saturation		

# DMX TRAITS

Standard	Extended	Value	Function	Snap	Default Value
10	14		<b>Color</b>	X	0
		0-15	Open		
		16-17	White/Red Split		
		18-19	Red		
		20-21	Red/Green Split		
		22-23	Green		
		24-25	Green/Yellow Split		
		26-27	Yellow		
		28-29	Yellow/Purple Split		
		30-31	Purple		
		32-33	Purple/Cyan Split		
		34-35	Cyan		
		36-37	Cyan/Orange Split		
		38-39	Orange		
		40-41	Orange/Magenta Split		
		42-43	Magenta		
		44-45	Magenta/Light Green Split		
		46-47	Light Green		
		48-49	Light Green/Pink Split		
		50-51	Pink		
		52-53	Pink/UV Split		
		54-55	UV		
		56-57	UV/CTB Split		
		58-59	CTB		
		60-61	CTB/CTO Split		
		62-63	CTO		
		64-65	CTO/HighCRI Split		
		66-67	HighCRI		
		68-69	HighCRI/Dark Amber Split		
		70-71	Dark Amber		
		72-73	Dark Amber/Deep Red Split		
		74-75	Deep Red		
		76-77	Deep Red/Blue Split		
78-79	Blue				
80-81	Blue/White Split				
82-127	Open				
	<b>Scroll</b>				
128-189	Clockwise Fast → Slow				
190-193	Stop				
194-255	Counter-clockwise Slow → Fast				
	15	0-255	<b>Color Fine</b> Position	X	0

# DMX TRAITS

Standard	Extended	Value	Function	Snap	Default Value
11	16		<b>Rotating Gobo</b>		0
		0-10	Beam Open		
		11-21	Spot Open		
		22-31	Rotating Gobo 1		
		32-41	Rotating Gobo 2		
		42-51	Rotating Gobo 3		
		52-61	Rotating Gobo 4		
		62-71	Rotating Gobo 5		
		72-81	Rotating Gobo 6		
		82-91	Rotating Gobo 7		
		92-101	Rotating Gobo 8		
		102-112	Gobo 1 Shake Slow → Fast		
		113-123	Gobo 2 Shake Slow → Fast		
		124-134	Gobo 3 Shake Slow → Fast		
		135-145	Gobo 4 Shake Slow → Fast		
		146-156	Gobo 5 Shake Slow → Fast		
		157-167	Gobo 6 Shake Slow → Fast		
		168-178	Gobo 7 Shake Slow → Fast		
		179-189	Gobo 8 Shake Slow → Fast		
			<b>Scroll</b>		
190-221	Clockwise Fast → Slow				
222-223	Stop				
224-255	Counter-clockwise Slow → Fast				
12	17		<b>Rotating Gobo Index/ Rotation</b>		0
		0-127	Index Position		
			<b>Rotate</b>		
		128-189	Clockwise Fast → Slow		
		190-193	Stop		
194-255	Counter-clockwise Slow → Fast				
13	18	0-255	<b>Rotating Gobo Index/ Rotation Fine</b>		0
			Index Position		

# DMX TRAITS

Standard	Extended	Value	Function	Snap	Default Value
14	19		<b>Fixed Gobo</b>	X	0
		0-13	Open		
		14-18	Gobo 1		
		19-23	Gobo 2		
		24-28	Gobo 3		
		29-33	Gobo 4		
		34-38	Gobo 5		
		39-43	Gobo 6		
		44-48	Gobo 7		
		49-53	Gobo 8		
		54-58	Gobo 9		
		59-63	Gobo 10		
		64-68	Gobo 11		
		69-73	Gobo 12		
		74-78	Gobo 13		
		79-83	Gobo 14		
		84-88	Gobo 15		
		89-93	Gobo 16		
		94-99	Gobo 1 shake slow to fast		
		100-105	Gobo 2 shake slow to fast		
		106-111	Gobo 3 shake slow to fast		
		112-117	Gobo 4 shake slow to fast		
		118-123	Gobo 5 shake slow to fast		
		124-129	Gobo 6 shake slow to fast		
		130-135	Gobo 7 shake slow to fast		
		136-141	Gobo 8 shake slow to fast		
		142-147	Gobo 9 shake slow to fast		
		148-153	Gobo 10 shake slow to fast		
		154-159	Gobo 11 shake slow to fast		
		160-165	Gobo 12 shake slow to fast		
		166-171	Gobo 13 shake slow to fast		
		172-177	Gobo 14 shake slow to fast		
178-183	Gobo 15 shake slow to fast				
184-189	Gobo 16 shake slow to fast				
	<b>Scroll</b>				
190-221	Clockwise Fast → Slow				
222-223	Stop				
224-255	Counter-clockwise Slow → Fast				
	20	0-255	<b>Fixed Gobo Fine Position</b>	X	0

# DMX TRAITS

Standard	Extended	Value	Function	Snap	Default Value
15	21		<b>Animation Wheel</b>		0
		0	Open		
		1-127	Open → Dots		
		128-255	Dots → Lines		
16	22		<b>Animation Index</b>		64
		0-127	Position		
			<b>Scroll</b>		
		128-189	Clockwise Fast → Slow		
		190-193	Stop		
194-255	Counter-clockwise Slow → Fast				
17	23		<b>Animation Wheel 2</b>		0
		0-127	Open		
		128-255	Waves		
18	24		<b>Animation Index</b>		0
		0-127	Position		
			<b>Scroll</b>		
		128-189	Clockwise Fast → Slow		
		190-193	Stop		
194-255	Counter-clockwise Slow → Fast				
19	25		<b>Rotating Prism 1</b>	X	0
		0-63	Open		
		64-95	8 Facet		
		96-127	6 Facet Linear		
		128-255	Open		
20	26		<b>Rotating Prism 1 Index/Rotation</b>		0
		0-255	Index Position		
			<b>Rotate</b>		
		128-189	Clockwise Fast → Slow		
		190-193	Stop		
194-255	Counter-clockwise Slow → Fast				
	27	0-255	<b>Rotating Prism 1 Index/Rotation Fine</b> Position		
21	28		<b>Rotating Prism 2</b>	X	0
		0-63	Open		
		64-95	16 Facet		
		96-127	4 Facet Linear		
		128-255	Open		
22	29		<b>Rotating Prism 2 Index/Rotation</b>		0
		0-255	Index Position		
			<b>Rotate</b>		
		128-189	Clockwise Fast → Slow		
		190-193	Stop		
194-255	Counter-clockwise Slow → Fast				
	30	0-255	<b>Rotating Prism 2 Index/Rotation Fine</b> Position		0



# DMX TRAITS

Standard	Extended	Value	Function	Snap	Default Value
23	31	0-255	<b>Focus</b>		127
			Infinity → Near		
24	32	0-255	<b>Focus Fine</b>		127
			Fine Adjustment		
25	33	0-255	<b>Zoom</b>		127
			Narrow → Wide		
26	34	0-255	<b>Zoom Fine</b>		127
			Fine Adjustment		
	35		<b>Auto Focus</b>		0
		0-50	Auto Focus Off		
		51-100	5-15m		
		101-150	15-150m		
		151-255	Idle		
	36	0-255	<b>AutoFocus Fine</b>		0
			Fine Adjustment		
27	37		<b>Shutter/Strobe</b>	X	50
		0-31	Closed		
		32-63	Open		
		64-95	Strobe Slow → Fast		
		96-127	Open		
		128-159	Pulse-effect		
		160-191	Open		
		192-223	Random strobe Slow → Fast		
224-255	Open				
28	38	0-255	<b>Dimmer</b>		0
			Intensity 0 → 100%		
29	39	0-255	<b>Dimmer Fine</b>		0
			Fine Adjustment		
30	40		<b>Iris</b>		
		0-191	Open → Close		
		192-223	Pulse Closing fast → slow		
		224-255	Pulse Opening slow → fast		
31	41	0-255	<b>Frost</b>		
			Open → Max		
	42		<b>Pan / Tilt Speed</b>	X	0
		0-225	Max → Min Speed		
		226-235	Blackout by movement		
		236-245	Blackout by wheel changes		
		246-255	No function		

# DMX TRAITS

Standard	Extended	Value	Function	Snap	Default Value
32	43		<b>Control (hold 5s)</b>	X	0
		0-10	Idle		
		11-12	Pan Tilt Shortest Path		
		13-14	Pan Tilt Continue Path		
		15-16	Pan Range 540		
		17-18	Pan Range 360		
		19-20	Pan Range 360 Short		
		21-39	Idle		
			<b>Lamp Control</b>		
		40-49	On		
		50-59	Off		
		60-66	Power 370W		
		67-73	Power 430W		
		74-79	Power 560W		
			<b>Reset</b>		
		80-84	Fixture		
		85-87	Pan Tilt		
		88-90	Color		
		91-93	Gobo		
		94-96	Dimmer		
		97-99	Other Features		
		100-164	Idle		
		165-166	CMY Smooth		
		167-168	CMY Fast		
		169-170	Vent Cleaning On		
		171-172	Vent Cleaning Off		
		173-174	Hibernation Off		
		175-176	Hibernation		
		177-178	Sun Protection On		
		179-180	Sun Protection Off		
		181-190	Pan Tilt Smooth		
		191-200	Pan Tilt Fast		
	<b>Dimmer Curve</b>				
201-210	Linear				
211-220	Square				
221-230	Inverse Square				
231-240	S-Curve				
241-249	Idle				
250-251	Display Off				
252-253	Display On				
254-255	Idle				

# ERROR CODES

When power is applied, the unit will automatically enter a “Reset/Test” mode. This mode brings all the internal motors to a home position. If there is an internal problem with one or more of the motors an error code will flash in the display in the form of “XXer” where as XX will represent a function number. For example, when the display shows “0Er” it means there is some type of error with the Pan motor. If there are multiple errors during the start-up process they will all flash in the display. For example: if the fixtures has errors on Channel 1, 2, and 5 all at the same time, you will see the error message “01Er”, “02Er”, and “05Er” flash repeated 5 times.

If an error does occur during the initial start-up procedure the fixture will self-generate a second reset signal and try to realign all the motors and correct the errors. If the error persists after a second attempt a third attempt will be made. If after a third attempt all the errors have not been corrected the fixture will make the following determinations:

- **3 or More Errors:** The fixture cannot function properly with three or more errors therefore the fixture will place itself in a stand-by mode until subsequent repairs can be made.
- **Less Than 3 Errors:** The fixture has less than 3 errors; therefore, most other functions will work properly. The fixture will attempt to operate normally until the errors can be correct by a technician. The errors in question will remain flashing in the display as a reminder of internal errors.

Note: Error Codes are subject to change without any prior written notice.	
ERROR CODES	DESCRIPTION
Pan Er	Movement is not located in the default position after the reset. This message will appear after a fixture reset if the magnetic-indexing circuit malfunctions (sensor failed, or magnet is missing) or there is a motor failure (defective motor or a defective motor IC drive on the main PCB). This error may also be displayed if the head/yoke was blocked during a reset function.
Tilt Er	
Dimmer Er	Movement is not located in the default position after the reset. This message will appear after a fixture reset if the magnetic-indexing circuit malfunctions (sensor failed, or magnet is missing) or there is a motor failure (defective motor or a defective motor IC drive on the main PCB).
Focus Er	
Color Wheel Er	
Cyan Color Er	
Magenta Color Er	
Yellow Color Er	
CTO Color Er	
Gobo Wheel Er	
Gobo_Rot Er	
Fix gobo Wheel Er	
Prism Er	
Zoom Er	
Focus Er	
Iris Er	
Animation Er	
Animation Rot Er	
Prism_Rot Er	
Prism 2 Er	
Prism_Rot 2 Er	
Frost 1 Er	
Flow Er	
Array Lens Er	

# SOFTWARE UPDATES

## E-LOADER III



**ONLY QUALIFIED TECHNICIANS SHOULD PERFORM THIS FUNCTION!  
NOTE ALL MENU SETTINGS BEFORE UPDATING SOFTWARE!  
FIXTURE SOFTWARE CAN NOT BE DOWNGRADED!  
DOWNLOAD FIXTURE SOFTWARE TO PC ONLY! (NO MAC SUPPORT)  
PLEASE CONTACT ELATION SERVICE FOR FURTHER INFORMATION.**

An Elation E-Loader III can be used to update the fixture to the latest software. Please visit the E-Loader III product page at the Elation web site and download the product manual for step by step instructions.

<https://www.elationlighting.com/e-loader-iii-software-uploader>

To order the E-Loader III uploader and the updated software for your fixture, please contact Elation support for details.

# SOFTWARE UPDATES

## ETHERNET UPDATER

Software updates for this fixture can be performed using the Elation Ethernet Updater. Contact Elation Service to obtain this updater device:

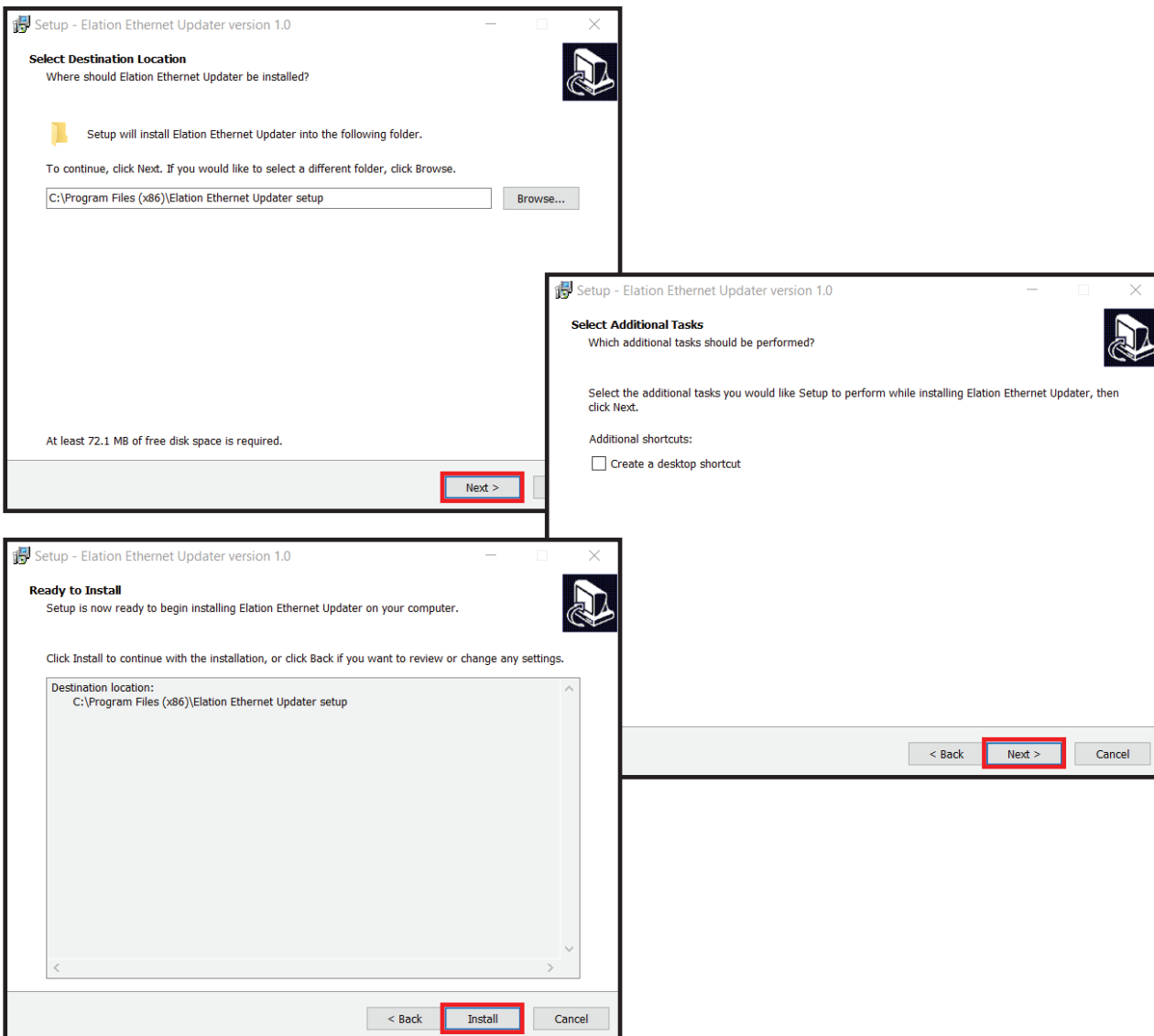
**ELATION SERVICE USA - Monday - Friday 8:00am to 4:30pm PST**  
323-582-3322 | Fax 323-832-9142 | support@elationlighting.com

**ELATION SERVICE EUROPE - Monday - Friday 08:30 to 17:00 CET**  
+31 45 546 85 63 | Fax +31 45 546 85 96 | support@elationlighting.eu

The Elation Ethernet Updater is an EXE file, which only works on a PC System. Once you've received the Elation Ethernet Updater RAR file from Elation Service via email, download and extract the EXE file. With the file extracted, click Elation Ethernet Updater setupV100.exe to launch the installation wizard.

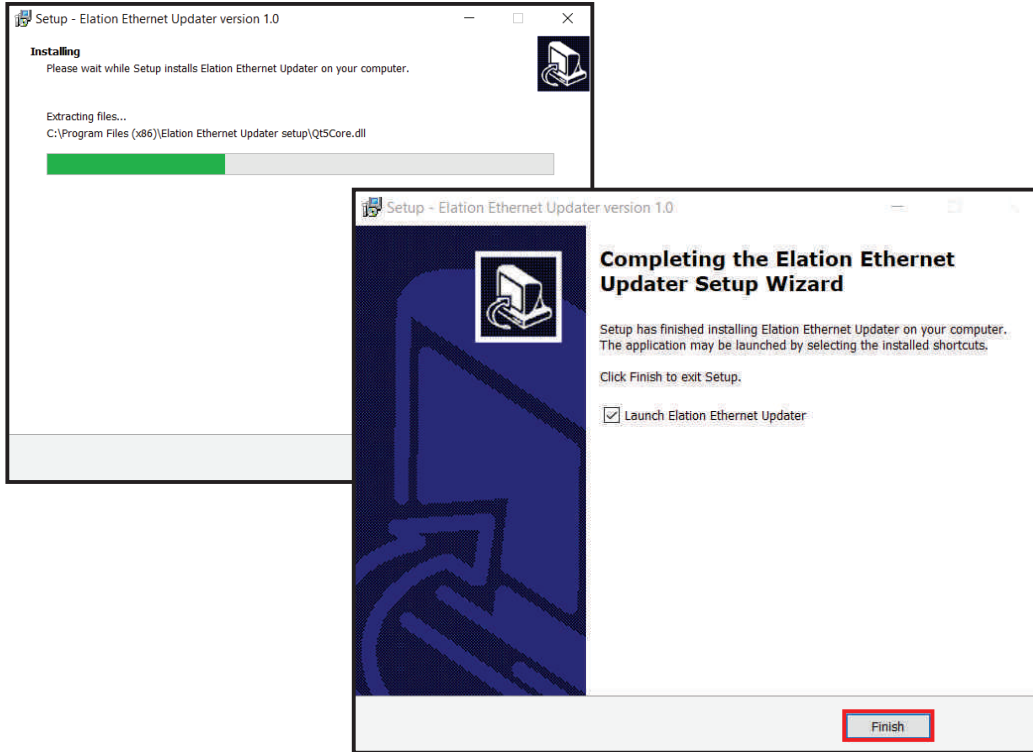


Follow the prompts once the Elation Ethernet Updater EXE has launched the Setup Wizard.



# SOFTWARE UPDATES

## ETHERNET UPDATER



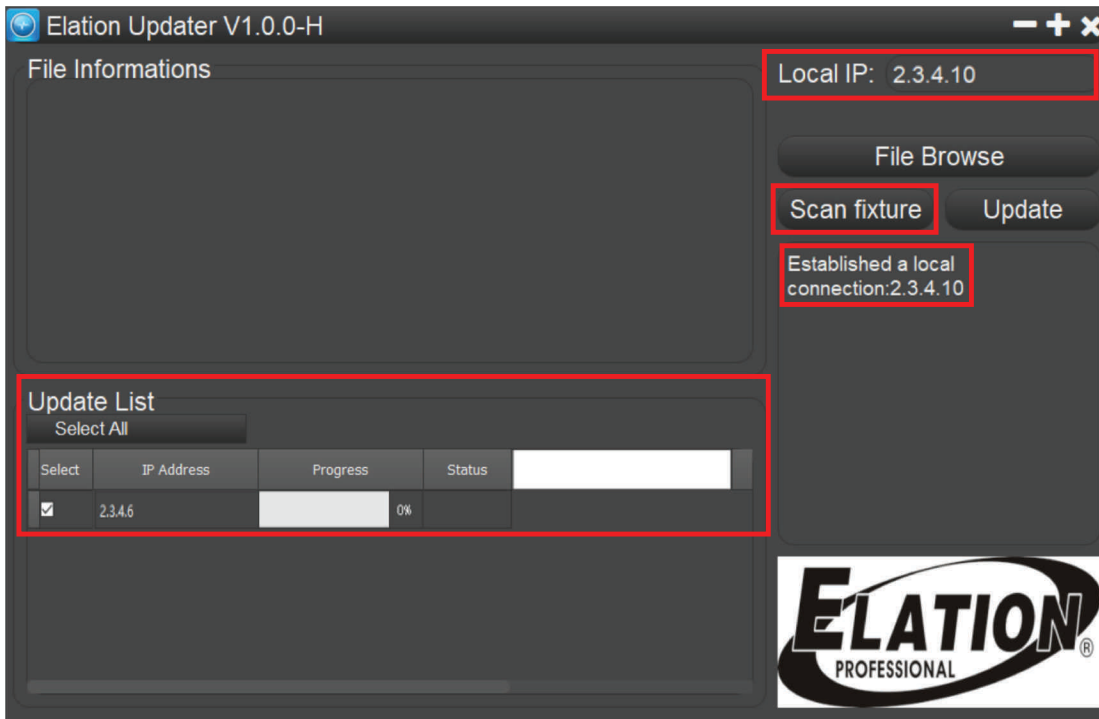
Once you have installed the Elation Ethernet Updater, it will launch automatically (unless you unchecked "Launch Elation Ethernet Updater"), or you can open it any time by clicking on the icon.



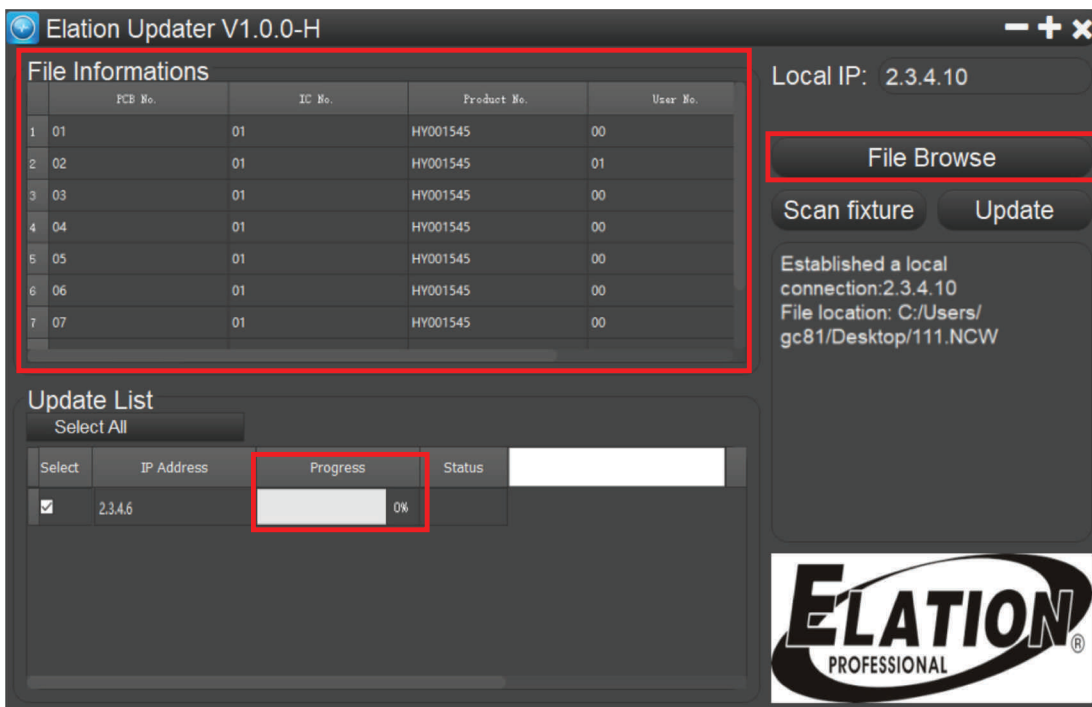
# SOFTWARE UPDATES

## ETHERNET UPDATER

Once opened, your local IP will automatically be identified. Click “Scan fixture” and create a connection. The fixture identity will appear in the Update List on the left side of browser. A connection will fail to establish if the fixture IP and Local IP are not in the same network segment.



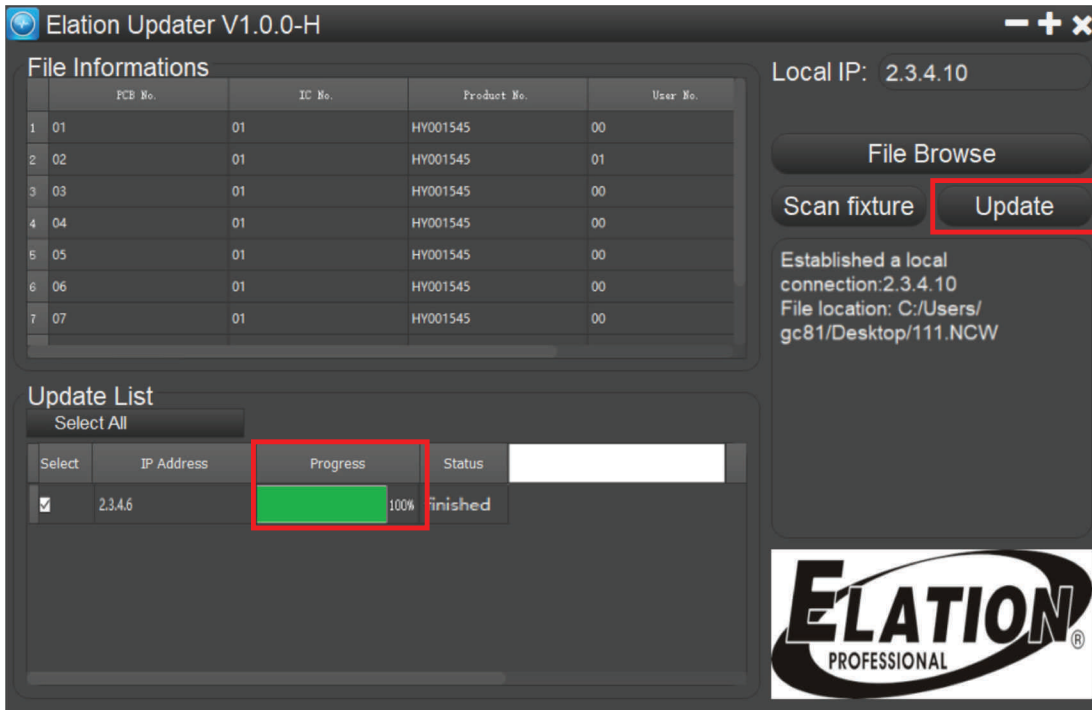
Click “File Browse” to select the files you want to download. The download Progress is displayed in the File information chart as a percentage bar graph.



# SOFTWARE UPDATES

## ETHERNET UPDATER

Click Update, then wait for the download Progress to reach 100% before closing Updater. The Elation Ethernet Updater can update up to 31 fixtures via connection to a PC.





# MAINTENANCE GUIDELINES



**DISCONNECT POWER BEFORE PERFORMING ANY MAINTENANCE!**

## CLEANING

Frequent cleaning is recommended to ensure proper function, optimized light output, and an extended life. The frequency of cleaning depends on the environment in which the fixture operates: damp, smoky or particularly dirty environments can cause greater accumulation of dirt on the fixture's optics. Periodically clean the external lens surface with a soft cloth to avoid dirt/debris accumulation. **NEVER** use alcohol, solvents, or ammonia-based cleaners.

## MAINTENANCE

Regular inspections are recommended to ensure proper function and extended life. There are no user serviceable parts inside this fixture. Please refer all other service issues to an authorized Elation service technician. Should you need any spare parts, please order genuine parts from your local Elation dealer.

Please refer to the following points during routine inspections:

- A detailed electric check by an approved electrical engineer every three months, to make sure the circuit contacts are in good condition and prevent overheating.
- Be sure all screws and fasteners are securely tightened at all times. Loose screws may fall out during normal operation, resulting in damage or injury as larger parts could fall.
- Check for any deformations on the housing, color lenses, rigging hardware, and rigging points (ceiling, suspension, trussing). Deformations in the housing could allow for dust to enter into the fixture. Damaged rigging points or unsecured rigging could cause the fixture to fall and seriously injure a person(s).
- Electric power supply cables must not show any damage, material fatigue or sediments. **NEVER** remove the ground prong from the power cable.

## FIXTURE DISASSEMBLY

The following points should be observed after performing any maintenance procedure that requires disassembly of the unit:

- After the unit has been reassembled, open the valve and allow the unit to run for approximately 2 hours in order to dry out any moisture that has been trapped inside the fixture. The process should continue until indicated humidity drops below 15% for the head and 30% for the base.
- Once this has been achieved, the light can be switched off, but the unit should remain connected to power so that the cooling fan can cool down the unit. Please note that allowing cool down time should **ALWAYS** be done after lamp operation.
- Some units may require partial disassembly in order to gain access to the valve. Please contact Elation service for information regarding the location and access procedure for the valve on your specific unit model.

# SPECIFICATIONS

## SOURCE

Philips MSD Platinum 500 Flex 550W Lamp  
Variable Lamp Power  
Automated Lamp Hibernation with Instant Recovery  
Up to 4,000 Hour Lamp Life\*

\*Test lab conditions. May vary depending on several factors including but not limited to:  
Environmental Conditions, Power/Voltage, Usage Patterns (On-Off Cycling), Control, and Dimming.

## PHOTOMETRIC DATA

22,000+ Lumen Total Fixture Output  
Zoom Range 1.9° - 44.5°

## EFFECTS

Beam, Spot and Wash Modes  
Motorized Zoom  
Dual Frost Filter for Light Frost/ Full Wash  
4 Prisms on Dual Planes  
Iris  
CMY Color, Gobo, Prism Macros  
Motorized Focus with Auto-Focus Feature  
High Speed Shutter and Strobe  
Pan Angle: 540°/630°  
Tilt Angle: 250°

## COLOR

Full CMY Color Mixing System  
Variable CTO  
16 Position Color Wheel

## GOBOS

2 Gobo Wheels  
8 Interchangeable-Rotating / Indexing Glass Gobos  
16 Static-Stamped Metal Gobos plus Animation Track  
Dual Track Animation Wheel

## CONTROL / CONNECTIONS

2 DMX Channel Modes (32, 43)  
4 Button Touch Panel  
Full Color 180° Reversible LCD Menu Display  
DMX, RDM, Art-Net and sACN Protocol Support  
IP66 5pin DMX In/Out  
IP66 RJ45 Ethernet In/Out  
IP66 Locking Power Cable In/Out

## SIZE / WEIGHT

Length: 18.2" (462mm)  
Width: 18.8" (477mm)  
Height: 26.65" (677mm)  
Weight: 79.4lbs. (36kg)

## ELECTRICAL / THERMAL

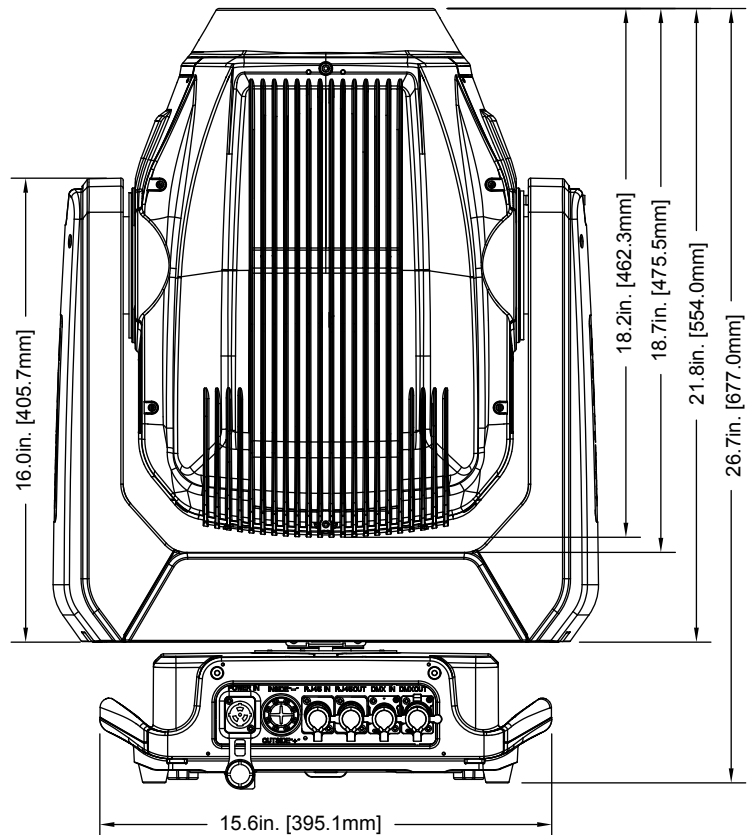
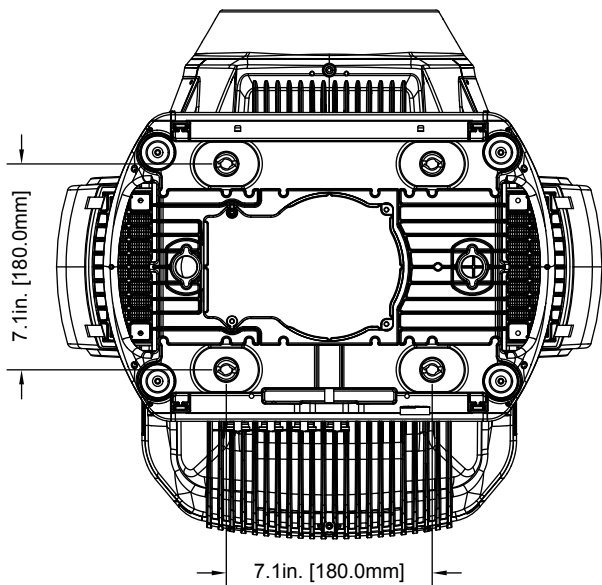
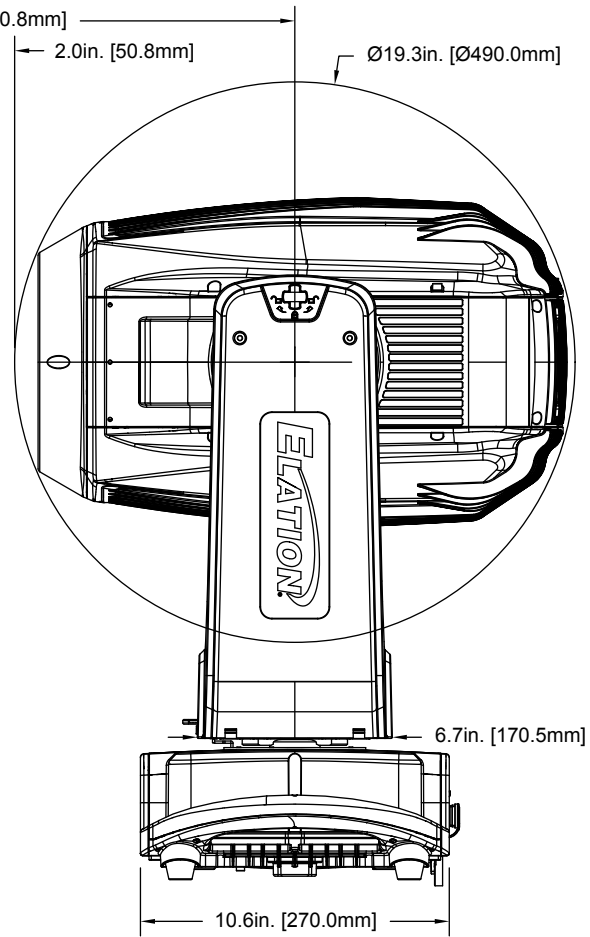
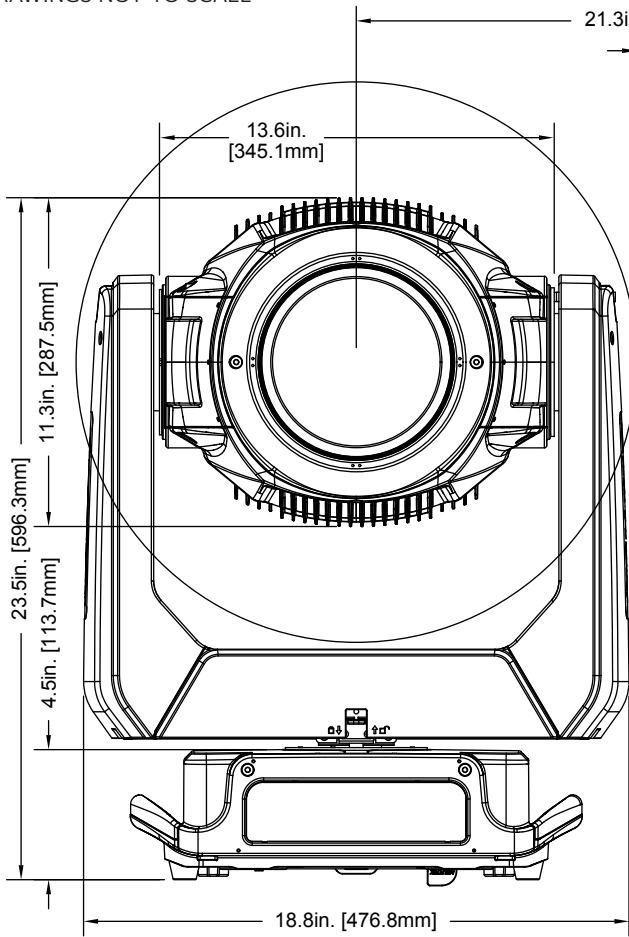
AC 100-240V 50/60Hz  
800 W Max Power Consumption  
-4°F to 113°F (-20°C to 45°C)

## APPROVALS / RATINGS

CE | cETLus | IP66

# DIMENSIONAL DRAWINGS

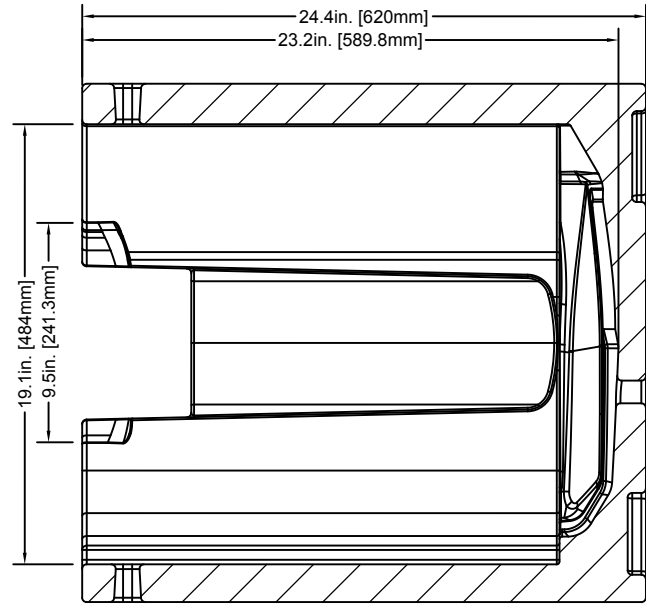
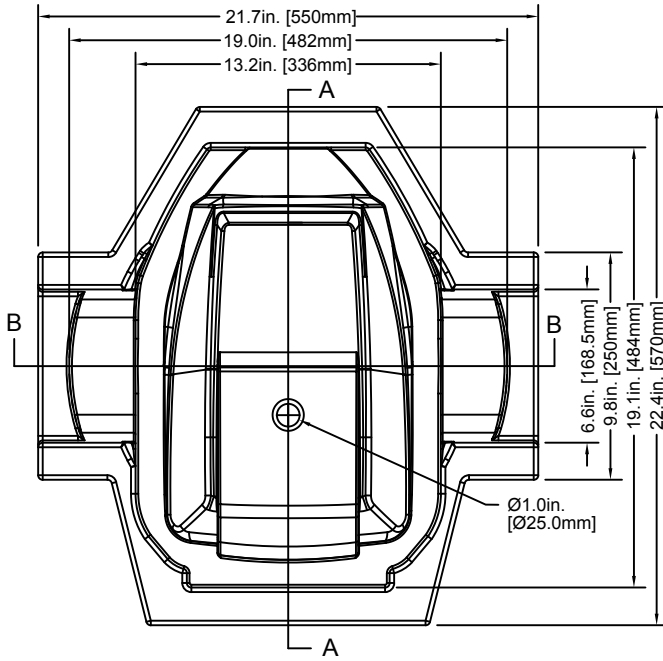
DRAWINGS NOT TO SCALE



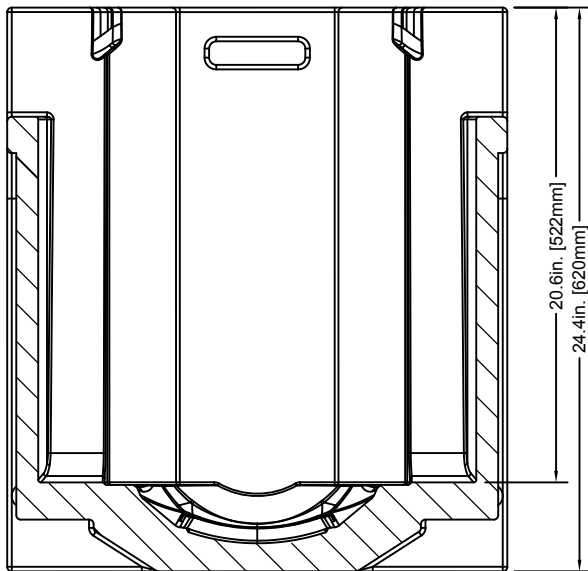
Specifications and documentation subject to change without notice.

# DIMENSIONAL DRAWINGS

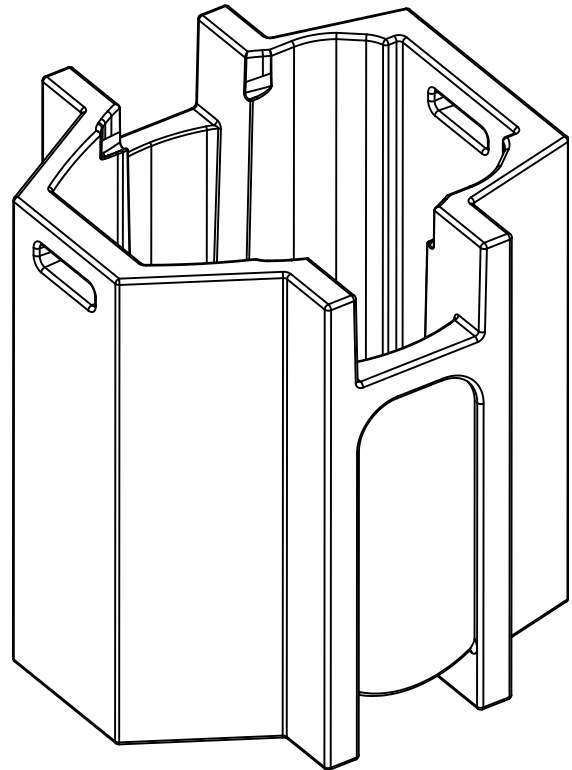
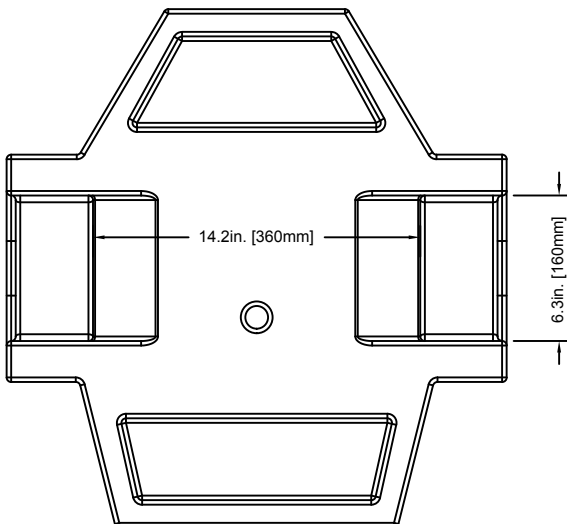
DRAWINGS NOT TO SCALE



A - A



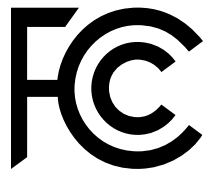
B - B



Specifications and documentation subject to change without notice.

# OPTIONAL ACCESSORIES

ORDER CODE		ITEM
US	EU	
PHM012	1237000271	Proteus Hybrid Max
PHM023	1237000282	Proteus Hybrid Max WMG
TRIGGER CLAMP	N/A	Heavy Duty Wrap Around Hook Style Clamp
SIP126	N/A	5 ft. (1.5m) IP66 Twist Lock Power Link Cable
AC5PDMX5PRO	N/A	5 ft. (1.5m) 5pin PRO DMX Cable
		Additional Cable Lengths Available



## FCC STATEMENT

This device complies with Part 15 of the FCC Rules. Operation is subject to the following two conditions: (1) this device may not cause harmful interference, and (2) this device must accept any interference received, including interference that may cause undesired operation.

## FCC RADIO FREQUENCY INTERFERENCE WARNINGS & INSTRUCTIONS

This product has been tested and found to comply with the limits as per Part 15 of the FCC Rules. These limits are designed to provide reasonable protection against harmful interference in a residential installation. This device uses and can radiate radio frequency energy and, if not installed and used in accordance with the included instructions, may cause harmful interference to radio communications. However, there is no guarantee that interference will not occur in a particular installation. If this device does cause harmful interference to radio or television reception, which can be determined by turning the device off and on, the user is encouraged to try to correct the interference by one or more of the following methods:

- Reorient or relocate the device.
- Increase the separation between the device and the receiver.
- Connect the device to an electrical outlet on a circuit different from which the radio receiver is connected.
- Consult the dealer or an experienced radio/TV technician for help.

## Energy Saving Matters (EuP 2009/125/EC)

Saving electric energy is a key to help protecting the environment. Please turn off all electrical products when they are not in use. To avoid power consumption in idle mode, disconnect all electrical equipment from power when not in use. Thank you!

